

TECHSPEC® 5mm Diameter, S-Mount Thick Optic Mount



Stock #63-948 **2 In Stock**

- 1 + A\$65²⁰

ADD TO CART

Volume Pricing	
Qty 1-4	A\$65.20 each
Qty 5-9	A\$58.56 each
Qty 10-25	A\$54.40 each
Need More?	Request Quote

Product Downloads

SPECIFICATIONS

General

Fixed **Type:**

Circular	Type of Optics:
Optic Mount (Fixed)	Function:
Physical & Mechanical Properties	
9.7	Extension Length (mm):
12.7	Total Length (mm):
16.00	Outer Diameter (mm):
3.8	Clear Aperture CA (mm):
6.5	Max. Thickness of Compatible Optics (mm):
1.0	Min. Thickness of Compatible Optics (mm):
Threading & Mounting	
5.0	Diameter of Compatible Optics (mm):
S-Mount	Thread Type:
Regulatory Compliance	
Compliant	RoHS 2015:
View	Certificate of Conformance:
Compliant	REACH 241:

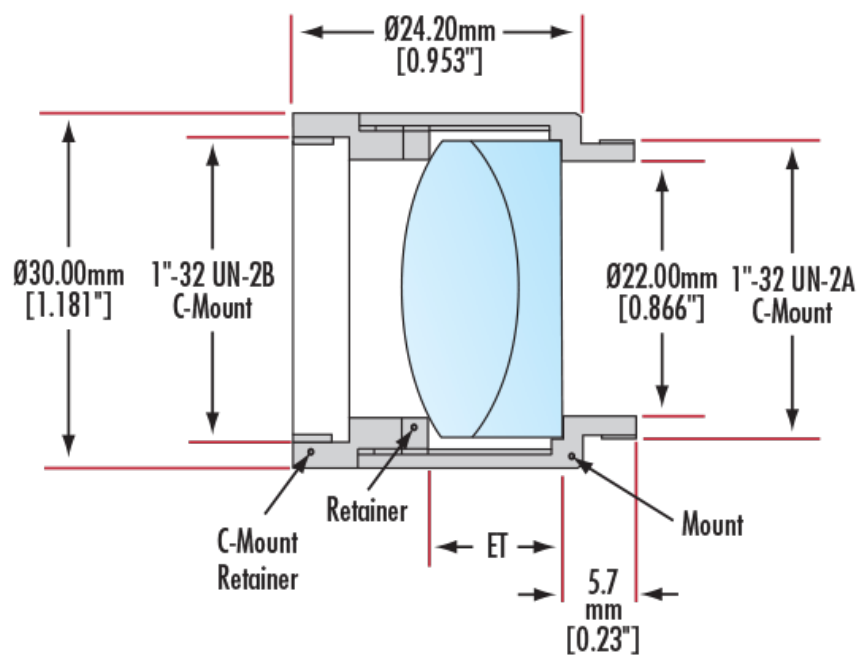
PRODUCT DETAILS

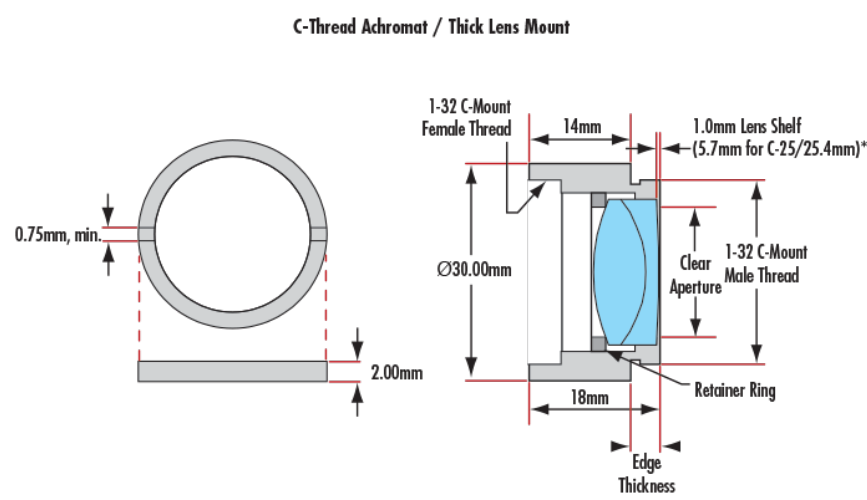
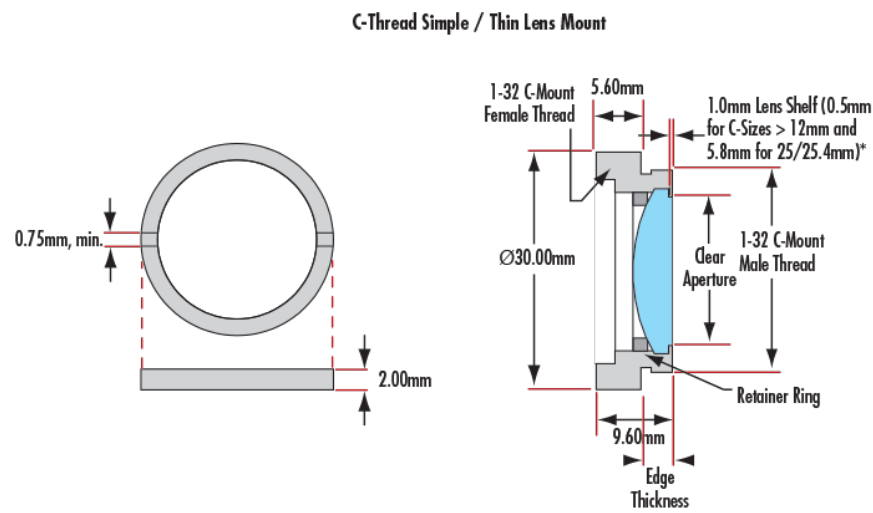
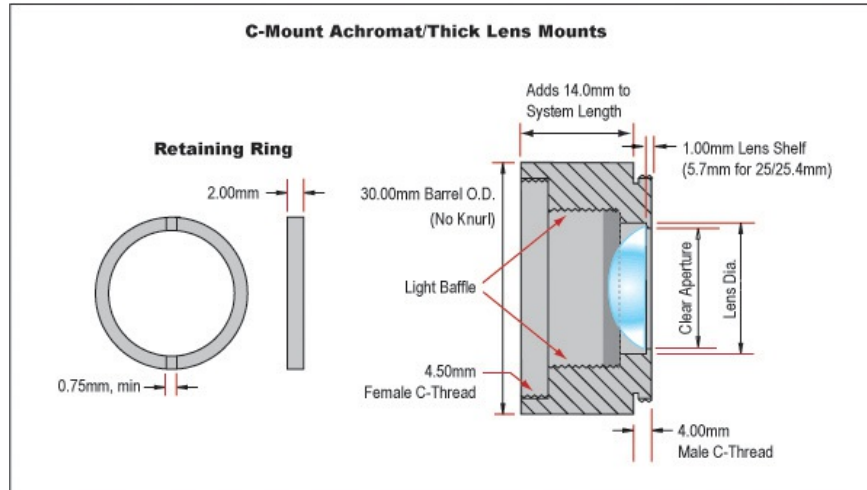
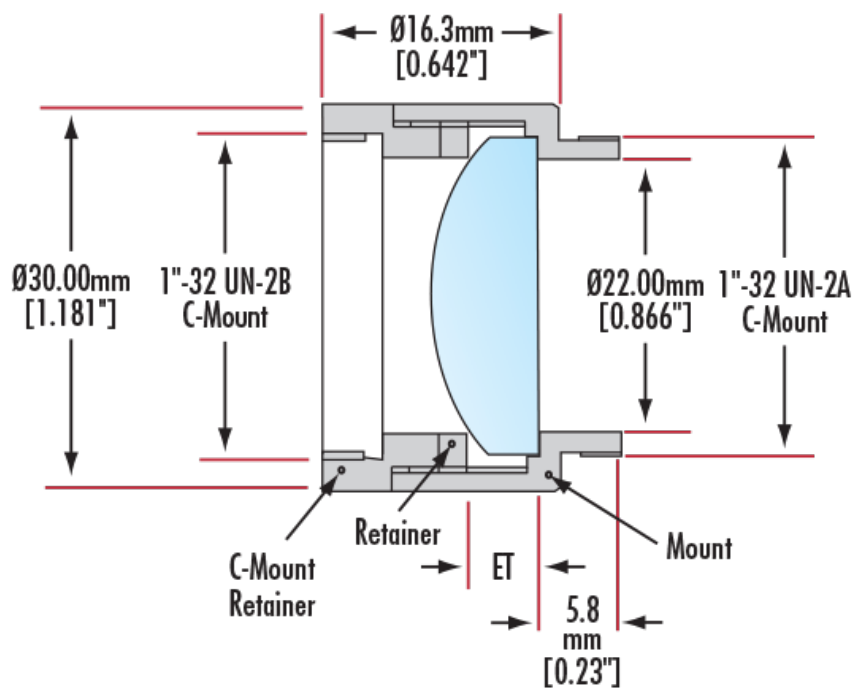
- Mounts for Simple Lenses, Achromats, Filters, or Reticles
- Designed to Integrate with Any C, S, or T-Mount Components
- Optic is Held in Place with Included Retaining Ring

TECHSPEC® C, S, and T-Mount Circular Optic Mounts are designed to mount a variety of circular optical components into C, S, or T-Mount compatible systems. An included threaded retainer ring, designed to accept a standard spanner wrench, securely holds the optical component. These circular optic mounts are compatible with a wide variety of Edmund Optics optomechanical components utilizing C, S, or T-Mount threads, such as [extension tubes](#) and [kinematic mounts](#). TECHSPEC® C, S, and T-Mount Circular Optic Mounts are threaded for 1" x 32TPI, M12 x 0.5, or M42 x 0.75 mounting, with 30mm, 16mm, and 48mm outer diameters, respectively. These mounts are ideal for creating and personalization of a diverse range of optical systems.

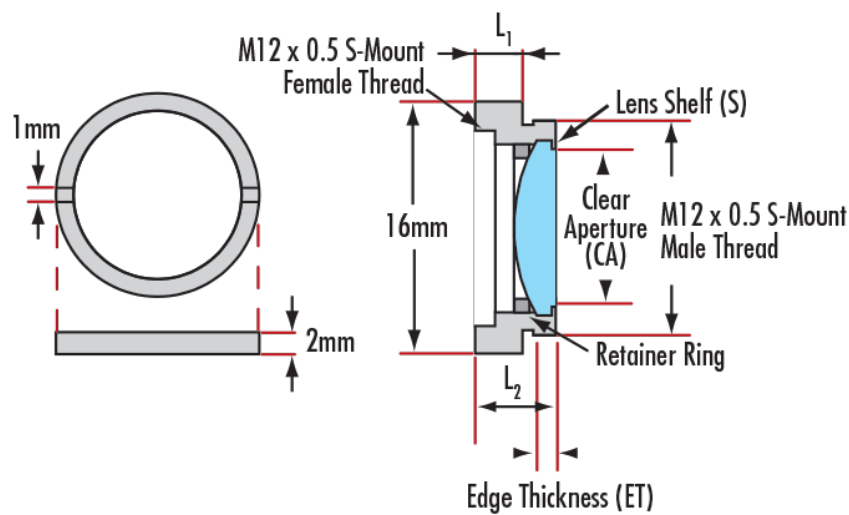
Note: [#56-353](#), [#56-354](#), [#52-933](#), and [#52-292](#) are all 3-part assemblies

TECHNICAL INFORMATION

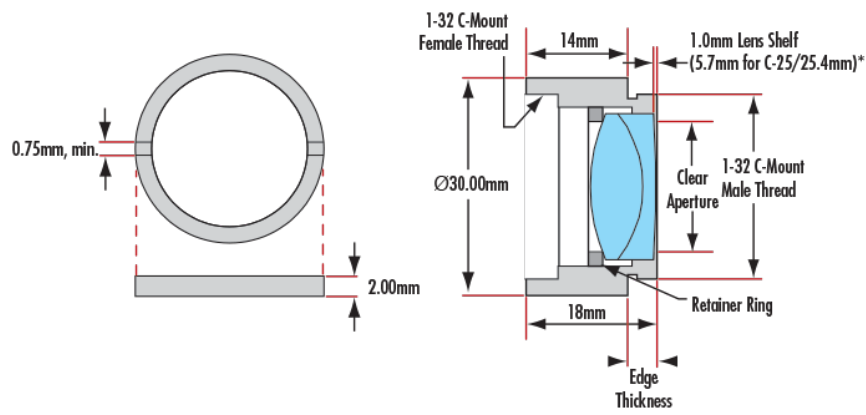




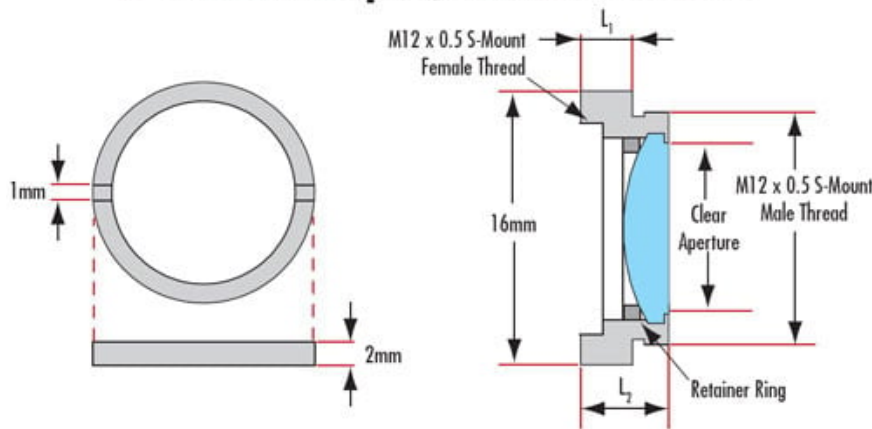
S-Thread Simple / Thin Lens Mount



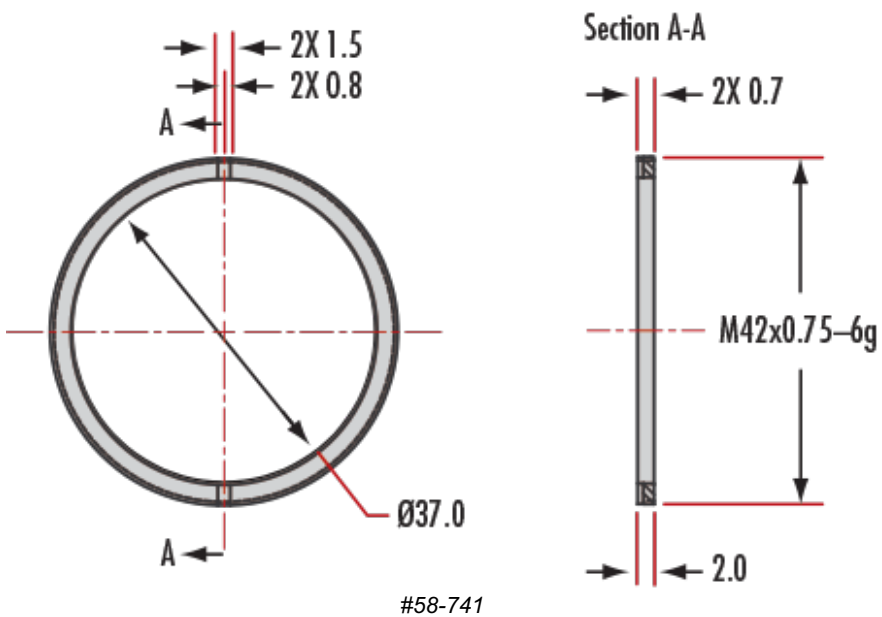
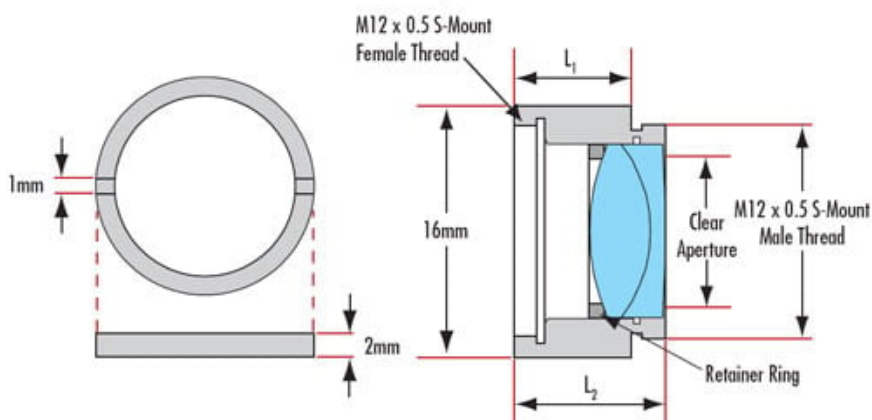
C-Thread Achromat / Thick Lens Mount



S-Thread Simple /Thin Lens Mount



S-Thread Achromat / Thick Lens Mount



#58-741