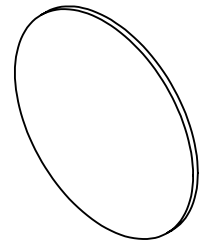


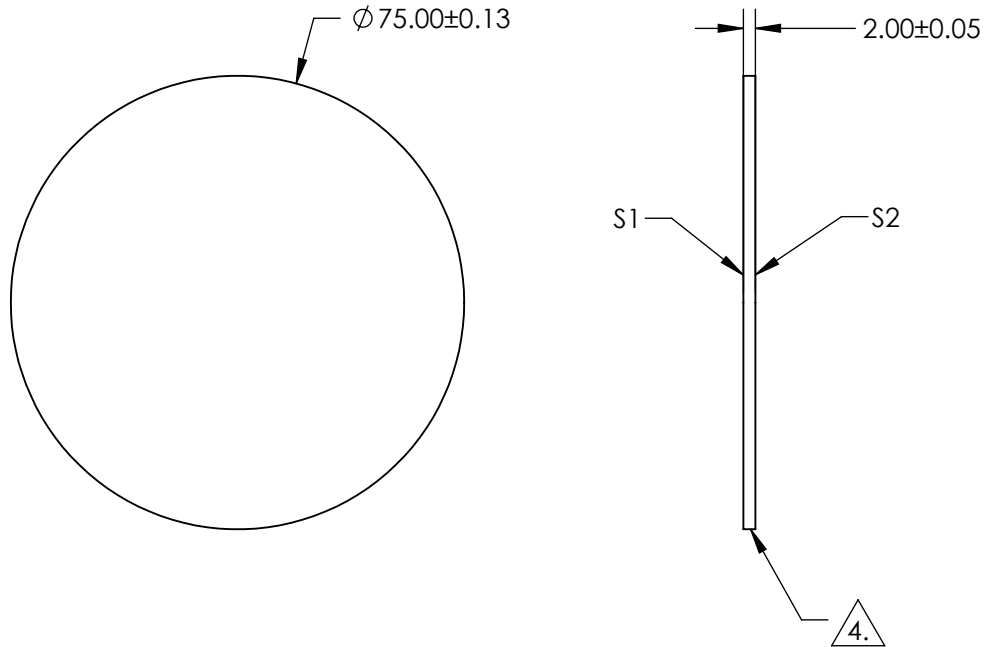
NOTES:

1. SUBSTRATE:  
SAPPHIRE (AL2O3)
2. SURFACE S2 TO BE PARALLEL WITH SUFACE S1 TO WITHIN  $\leq 3.5$  ARMIN
3. COATING (APPLY ACROSS CLEAR APERTURE)  
S1 & S2: R(AVG) $< 0.5\%$  @ 350 - 700nm



 4. FINE GRIND SURFACE

5. ROHS COMPLIANT



**FOR INFORMATION ONLY:  
DO NOT MANUFACTURE  
PARTS TO THIS DRAWING**

SPECIFICATIONS SUBJECT TO CHANGE WITHOUT NOTICE  
DIMENSIONS ARE FOR REFERENCE ONLY

	S1	S2
SHAPE	PLANO	PLANO
CLEAR APERTURE	$\varnothing 67.50$	$\varnothing 67.50$
SURFACE FLATNESS	$2\lambda$	$2\lambda$
SURFACE QUALITY	80-50	80-50
BIREFRINGENCE (no-ne)	0.008	0.008
BEVEL	PROTECTED AS NEEDED	PROTECTED AS NEEDED

THIRD ANGLE PROJECTION 

ALL DIMS IN mm

 **Edmund Optics®**

TITLE

75mm Dia., 2mm Thick, VIS-EXT AR Coated  
Sapphire Window

DWG NO

28707

SHEET  
41 OF 41