

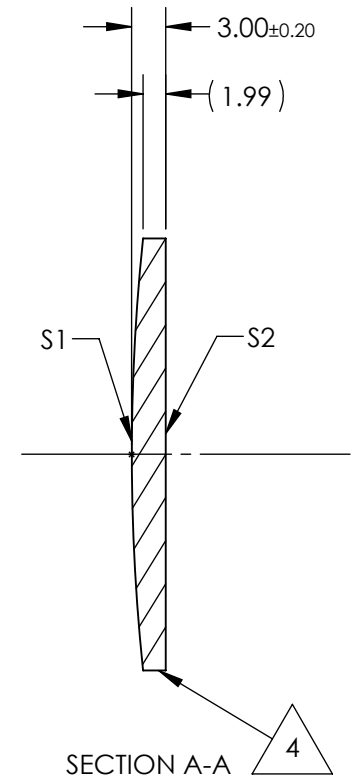
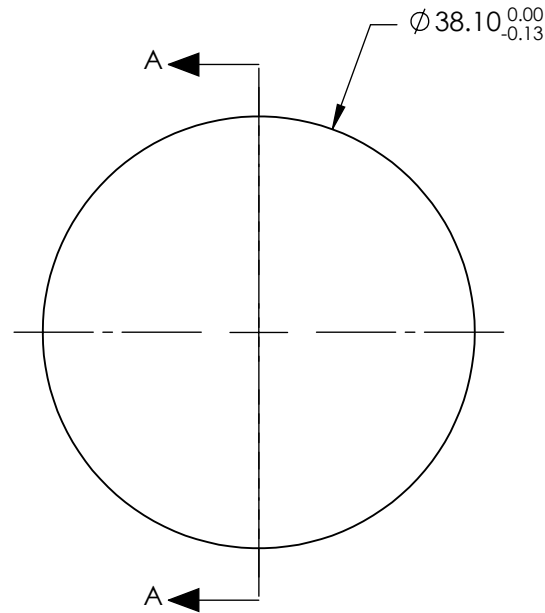
NOTES:

1. SUBSTRATE:  
Zinc Selenide (ZnSe), CVD Grade
2. CENTERING TOLERANCE:  
<3 ARCMIN
3. COATING (APPLY ACROSS CLEAR APERTURE)  
S1 & S2: R(AVG) <0.5% @ 8 - 12µm  
R(ABS) <1% @ 8 - 12µm

4. FINE GRIND SURFACE

5. FOCAL LENGTH TOLERANCE: ±2%

6. ROHS COMPLIANT



**FOR INFORMATION ONLY:  
DO NOT MANUFACTURE  
PARTS TO THIS DRAWING**

SPECIFICATIONS SUBJECT TO CHANGE WITHOUT NOTICE  
DIMENSIONS ARE FOR REFERENCE ONLY

	S1	S2	EFL @ 10.6µm	127.0	 <b>Edmund Optics®</b>		
SHAPE	CONVEX	PLANO	BFL @ 10.6µm	127.31			
RADIUS	180.3	INFINITY			TITLE	38.1mm Dia. x 127mm FL, 8-12µm AR Coated, ISP Optics ZnSe Plano-Convex Lens	
IRREGULARITY AT 10.6µm	λ/20	λ/20			DWG NO	24997	SHEET 1 OF 1
SURFACE QUALITY	60-40	60-40	ALL DIMS IN	mm			
CLEAR APERTURE	ø34.29	ø34.29					
BEVEL	PROTECTED AS NEEDED	PROTECTED AS NEEDED					