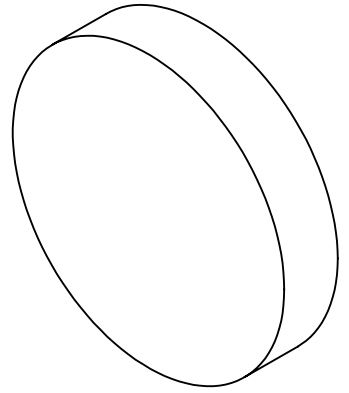
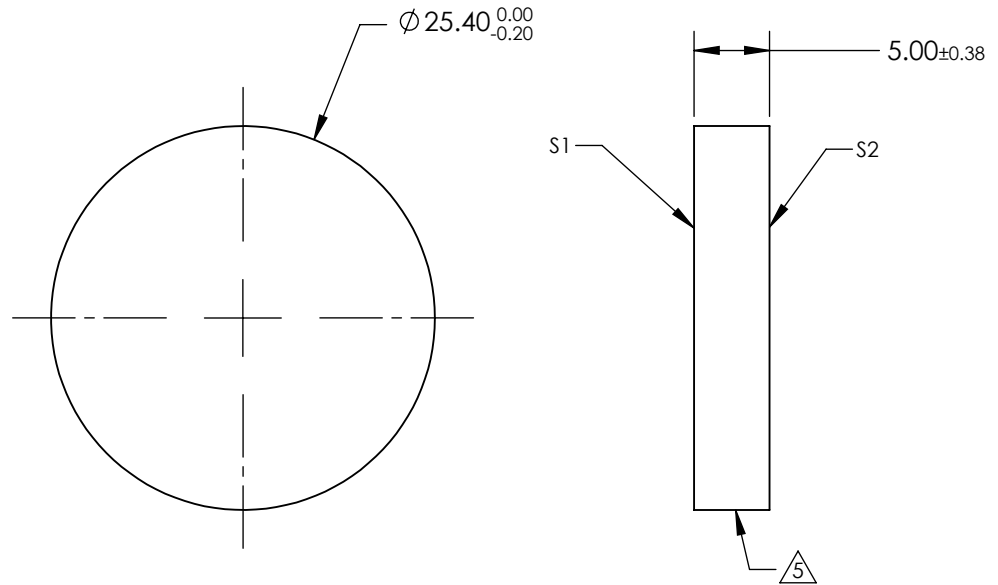


NOTES:

1. SUBSTRATE: Fused Silica (Corning 7980)
2. RoHS COMPLIANT
3. SURFACE S2 TO BE PARALLEL WITH SURFACE S 1 TO WITHIN ACRMINS
4. Coating (Apply Across Clear Aperture):
S1 & S2: None



5. FINE GROUND SURFACE



**FOR INFORMATION ONLY:
DO NOT MANUFACTURE
PARTS TO THIS DRAWING**

SPECIFICATIONS SUBJECT TO CHANGE WITHOUT NOTICE
DIMENSIONS ARE FOR REFERENCE ONLY

	S1	S2
Shape	Plano	Plano
Surface Accuracy	1λ	1λ
Surface Quality	60-40	60-40
Clear Aperture	22.86	22.86
Bevel	Protected as Needed	Protected as Needed

THIRD ANGLE PROJECTION

ALL DIMS IN

mm



Edmund Optics®

TITLE

25.4mm Dia. 5mm Thick Uncoated, 1λ Fused Silica Window

DWG NO

25247

SHEET
4 OF 101