

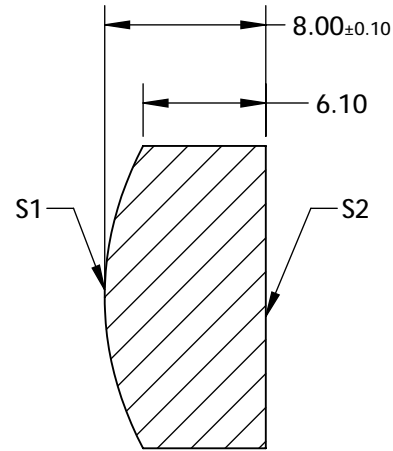
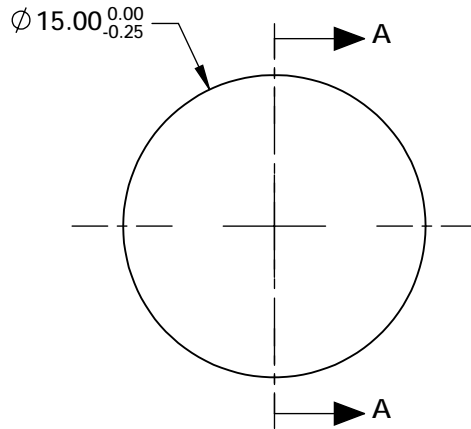
NOTES:

1. SUBSTRATE: N-SF6
2. COATING (APPLY ACROSS CLEAR APERTURE)
S1&S2: NIR+
R(AVG) < 0.5% FROM 600-1050nm @ +/-30° AOI; R(ABS) < 1.5% FROM 600-1050nm @ +/-30° AOI
3. EDGES: FINE GROUND
4. CENTERING: <3 ARCMIN
5. ASPHERE FIGURE ERROR: 0.25 μm RMS

FOR INFORMATION ONLY:
DO NOT MANUFACTURE
PARTS TO THIS DRAWING

6. ASPHERIC SURFACE DESCRIBED BY (REF. COEFFICIENT TABLE)

$$Z_{ASPH}(Y) = \frac{(\frac{1}{RADIUS})^2 * Y^2}{1 + \sqrt{1 - (1+k) * (\frac{1}{RADIUS})^2 * Y^2}} + D * Y^2 + E * Y^4 + F * Y^6 + G * Y^8 + H * Y^{10} + J * Y^{12} + L * Y^{14}$$



SECTION A-A

| COEFFICIENT TABLE | |
|-------------------|---------------|
| COEFFICIENT | S1 |
| SEMI-DIAMETER | 7.500000E+00 |
| (1/RADIUS) | 6.623833E-02 |
| k | 2.045310E-02 |
| D | 0.000000E+00 |
| E | -2.464272E-05 |
| F | -7.747754E-08 |
| G | -4.303751E-10 |
| H | -8.575912E-16 |
| J | 0.000000E+00 |
| L | 0.000000E+00 |

SPECIFICATIONS SUBJECT TO CHANGE WITHOUT NOTICE DIMENSIONS ARE FOR REFERENCE ONLY

| | S1 | S2 | EFL @ 587.6nm | 18.75 | | Edmund Optics® | |
|-----------------|----------------------|----------------------|---------------|-------|--------|---|--------------|
| SHAPE | CONVEX | PLANO | BFL @ 587.6nm | 14.32 | | | |
| RADIUS | 15.097 | INFINITY | | | TITLE | 15mm Dia., 0.40 Numerical Aperture, 600-1050nm Coated, Precision Aspheric Lens | |
| SURFACE QUALITY | 40-20 | 40-20 | | | | | |
| CLEAR APERTURE | Ø13.50 | Ø13.50 | ALL DIMS IN | mm | DWG NO | 22993 | SHEET 1 OF 1 |
| BEVEL MAX | PROTECTIVE AS NEEDED | PROTECTIVE AS NEEDED | | | | | |