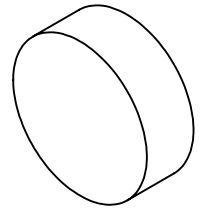
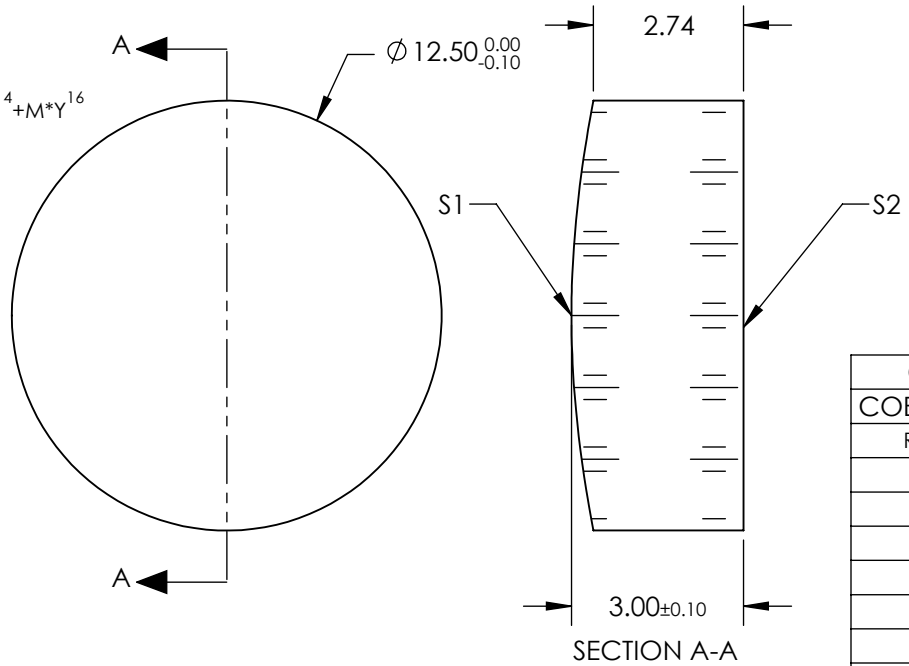


NOTES:

1. SUBSTRATE: GERMANIUM
2. COATING (APPLY ACROSS CLEAR APERTURE)
  - S1 & S2: BBAR (3000-12000nm)
  - Ravg <5.0% @ 3 - 12µm
3. EDGES: DIAMOND TURNED
4. CENTERING: ≤5 arcmin
5. ROHS COMPLIANT
6. ASPHERIC SURFACE DESCRIBED BY THE FOLLOWING EQUATION AND COEFFICIENTS SHOWN IN TABLE BELOW



$$Z(Y) = \frac{\left(\frac{1}{\text{RADIUS}}\right) * Y^2}{1 + \sqrt{1 - (1+k) * \left(\frac{1}{\text{RADIUS}}\right)^2 * Y^2}} + D * Y^2 + E * Y^4 + F * Y^6 + G * Y^8 + H * Y^{10} + J * Y^{12} + L * Y^{14} + M * Y^{16}$$



COEFFICIENT TABLE	
COEFFICIENT	S1
RADIUS	75.168
k	-9.000000E-01
D	0.000000E+00
E	-2.172873E-06
F	1.122728E-09
G	0.000000E+00
H	0.000000E+00
J	0.000000E+00
L	0.000000E+00
M	0.000000E+00

**FOR INFORMATION ONLY:  
DO NOT MANUFACTURE  
PARTS TO THIS DRAWING**

SPECIFICATIONS SUBJECT TO CHANGE WITHOUT NOTICE  
DIMENSIONS ARE FOR REFERENCE ONLY

	S1	S2
SHAPE	PLANO	PLANO
RADIUS	75.168	INFINITE
SURFACE QUALITY	60-40	60-40
CLEAR APERTURE	∅ 11.25	∅ 11.25
BEVEL	PROTECTED AS NEEDED	PROTECTED AS NEEDED



ALL DIMS IN

mm



**Edmund Optics®**

TITLE

12.5mm Dia x 25mm FL 3-12µm Coated, Ge  
Aspheric Lens

DWG NO

22777

SHEET  
8 OF 12