

NOTES:

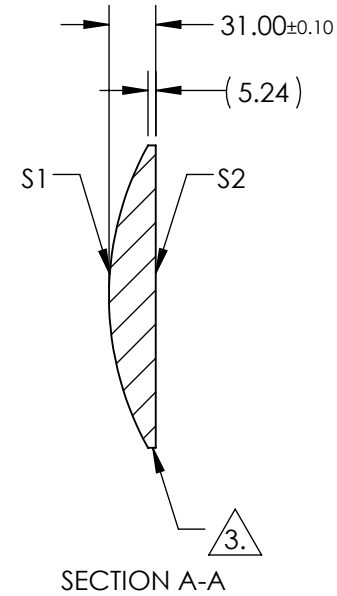
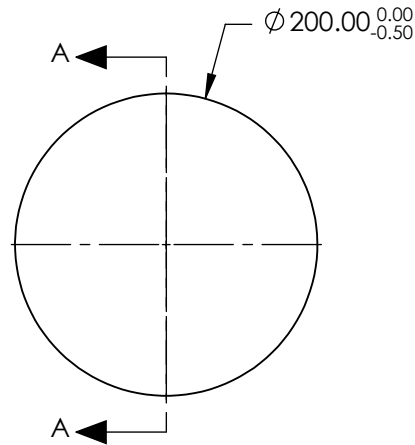
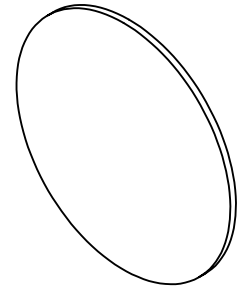
1. SUBSTRATE MATERIAL:
N-BK7

2. COATING (APPLY ACROSS CLEAR APERTURE)

S1 & S2: MgF2 (400-700nm)
Ravg ≤ 1.75% @ 400 - 700nm

3. FINE GROUND EDGES

4. RoHS COMPLIANT



**FOR INFORMATION ONLY:
DO NOT MANUFACTURE
PARTS TO THIS DRAWING**

SPECIFICATIONS SUBJECT TO CHANGE WITHOUT NOTICE
DIMENSIONS ARE FOR REFERENCE ONLY

	S1	S2	EFL	400		Edmund Optics® 200mm Dia x 400mm Focal Length, MgF2 Coated, PCX Condenser Lens	
SHAPE	CONVEX	PLANO	BFL	380			
SURFACE QUALITY	120-80	120-80	THIRD ANGLE PROJECTION		TITLE		
RADIUS	207	∞	ALL DIMS IN	mm	DWG NO	19915	SHEET 1 OF 1
CLEAR APERTURE	Ø195.00	Ø195.00					
BEVEL	PROTECTIVE AS NEEDED	PROTECTIVE AS NEEDED					