

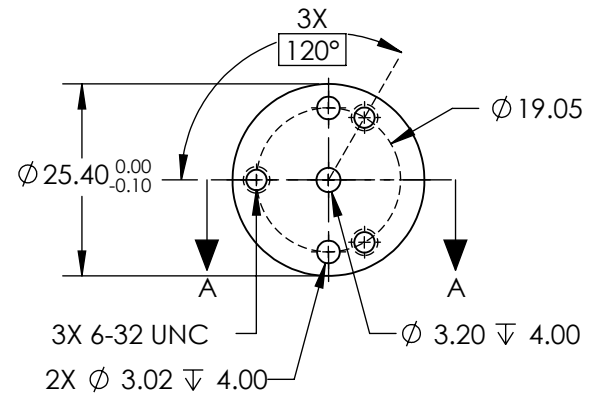
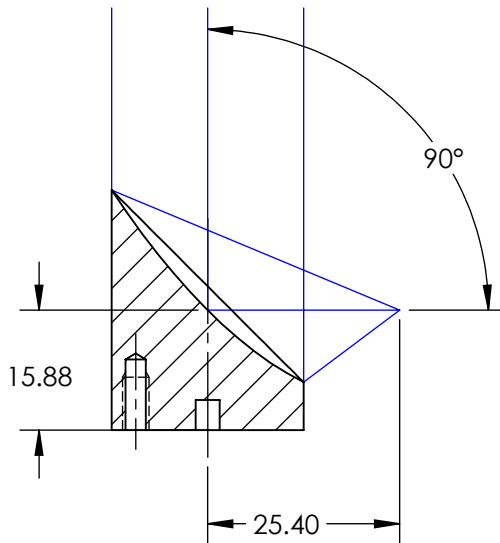
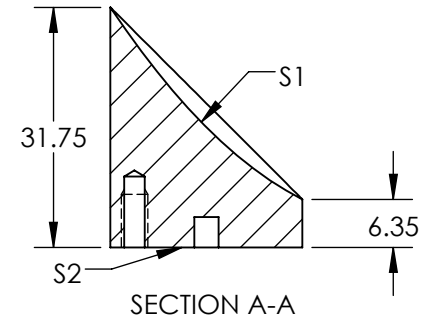
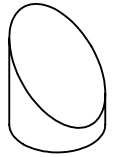
NOTES:

1. SUBSTRATE MATERIAL:
ALUMINUM
2. FINISH (EXCEPT SURFACE S1 & S2):
BLACK ANODIZED
3. COATING (APPLY ACROSS CLEAR APERTURE)
S1: DIELECTRIC MIRROR (1064nm)
R(AVG) >99.5% @ 1064nm @ 45°

SURFACE ROUGHNESS: <50 Å RMS

4. FOCAL LENGTH TOLERANCE: ±1%
5. ROHS COMPLIANT

**FOR INFORMATION ONLY:
DO NOT MANUFACTURE
PARTS TO THIS DRAWING**



SPECIFICATIONS SUBJECT TO CHANGE WITHOUT NOTICE
DIMENSIONS ARE FOR REFERENCE ONLY

REV. A	S1
SURFACE FIGURE AT 632.8nm (RMS)	$\lambda/8$
CLEAR APERTURE	90%
SHAPE	PARABOLIC
BEVEL	PROTECTIVE AS NEEDED



ALL DIMS IN

mm

EO® **Edmund Optics**®

TITLE

25.4mm Dia. x 25.4mm EFL, 1064nm
DIELECTRIC OFF-AXIS PARABOLIC MIRROR

DWG NO

15371

SHEET
1 OF 1