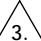
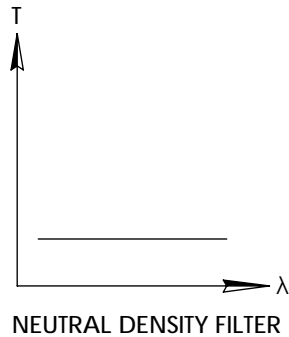
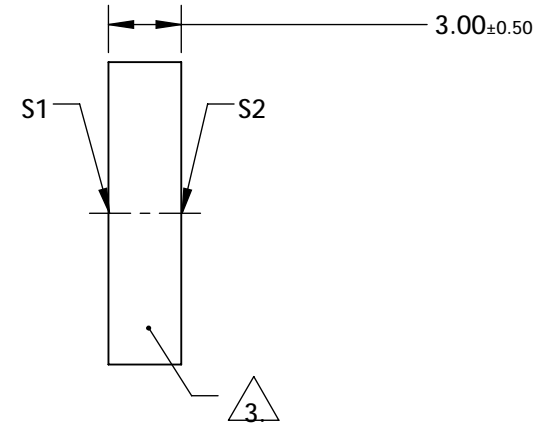
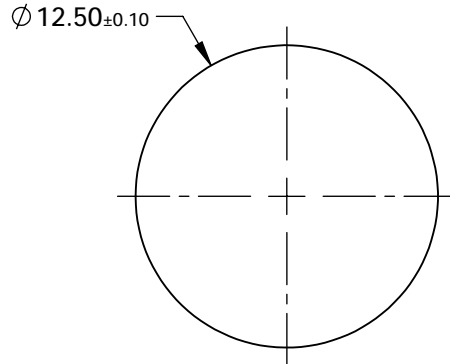
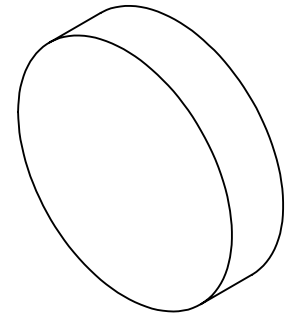


NOTES:

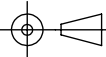
1. SUBSTRATE:  
HOYA GLASS: ND-0.3
2. SURFACE S2 TO BE PARALLEL WITH SURFACE S1 TO WITHIN <0.02 mm
3.  FINE GRIND SURFACE
4. COATING SPECIFICATION:  
S1 & S2:R(AVG) ≤0.4% @ 425 - 675nm
5. OPTICAL DENSITY: 3 +/-0.3 @ 400-700nm
6. TRANSMISSION (%): 0.1% AVERAGE FROM 400-700nm
7. ROHS COMPLIANT

FOR INFORMATION ONLY:  
DO NOT MANUFACTURE  
PARTS TO THIS DRAWING



SPECIFICATIONS SUBJECT TO CHANGE WITHOUT NOTICE  
DIMENSIONS ARE FOR REFERENCE ONLY

 **Edmund Optics®**

|                 |                      |                      |  |    |        |  |              |
|-----------------|----------------------|----------------------|--|----|--------|--|--------------|
|                 | S1                   | S2                   | THIRD ANGLE PROJECTION  |    | TITLE  | 3.0 OD, 12.5mm DIA., VIS 0° COATED, ABSORPTIVE ND FILTER |              |
| SHAPE           | PLANO                | PLANO                |  |    | DWG NO | 13092  | SHEET 1 OF 1 |
| SURFACE QUALITY | 80-50                | 80-50                | ALL DIMS IN  | mm |        |  |              |
| BEVEL           | PROTECTIVE AS NEEDED | PROTECTIVE AS NEEDED |  |    |        |  |              |