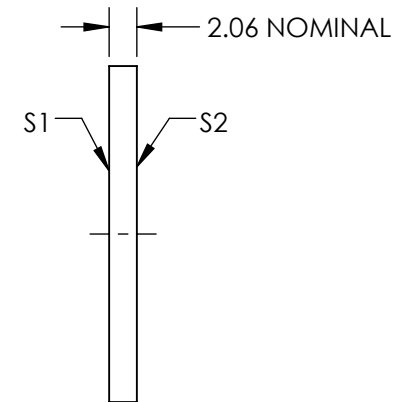
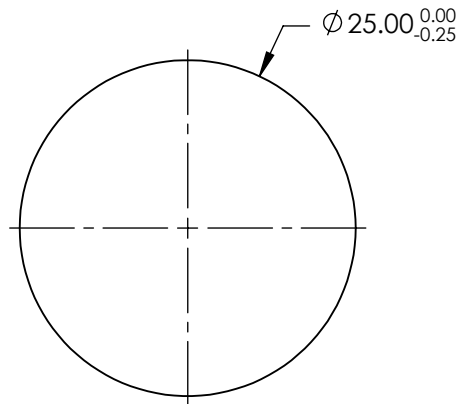
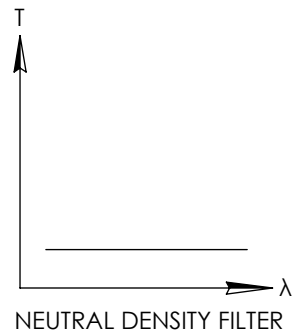


NOTES:

1. SUBSTRATE:
SCHOTT NG3
2. SURFACE S2 TO BE PARALLEL WITH SURFACE S1 TO WITHIN <30 ARCSEC
3. COATING (APPLY ACROSS CLEAR APERTURE)
S1 & S2: R(AVG) $\leq 1.0\%$ @ 450 - 700nm @ 0°
4. OD: $2 \pm 10\%$ @ 550nm
5. POWER, IRREGULARITY, AND SURFACE QUALITY SPECIFICATIONS APPLY ACROSS CLEAR APERTURE
6. TRANSMITTED WAVEFRONT DISTORTION P-V @ 632.8: $\lambda/4$
7. ROHS COMPLIANT

FOR INFORMATION ONLY:
DO NOT MANUFACTURE
PARTS TO THIS DRAWING



SPECIFICATIONS SUBJECT TO CHANGE WITHOUT NOTICE
DIMENSIONS ARE FOR REFERENCE ONLY

	S1	S2
SHAPE	PLANO	PLANO
SURFACE QUALITY	80-50	80-50
CLEAR APERTURE	$\text{Ø}22.50$	$\text{Ø}22.50$
BEVEL	PROTECTIVE AS NEEDED	PROTECTIVE AS NEEDED

THIRD ANGLE PROJECTION

ALL DIMS IN

mm

Edmund Optics®

TITLE

2.0 OD, 25mm Dia., Precision Anti-Reflection
Coated Absorptive Neutral Density Filter

DWG NO

16069

SHEET
1 OF 1