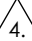
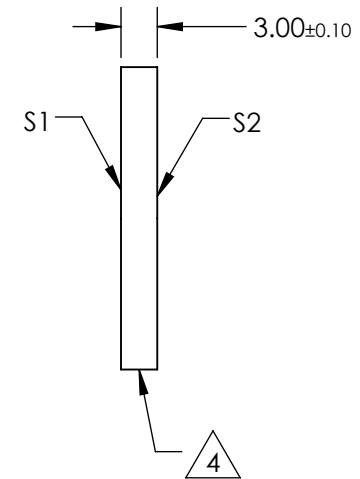
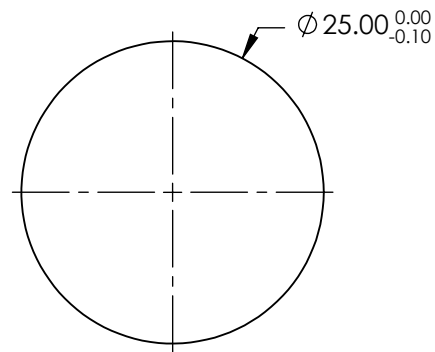
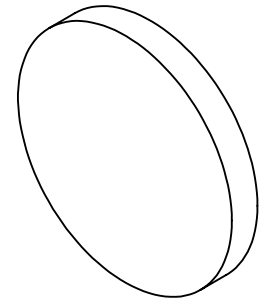


NOTES:

1. SUBSTRATE:
FUSED SILICA
2. S2 TO BE PARALLEL WITH S1 TO WITHIN < 1 ARCMIN
3. COATING (APPLY ACROSS CLEAR APERTURE)
S1 & S2: NONE
4.  FINE GRIND SURFACE
5. RoHS COMPLIANT



**FOR INFORMATION ONLY:
DO NOT MANUFACTURE
PARTS TO THIS DRAWING**

SPECIFICATIONS SUBJECT TO CHANGE WITHOUT NOTICE
DIMENSIONS ARE FOR REFERENCE ONLY

	S1	S2
SHAPE	PLANO	PLANO
SURFACE QUALITY	40-20	40-20
CLEAR APERTURE (mm)	$\varnothing 22.50$	$\varnothing 22.50$
BEVEL	PROTECTIVE AS NEEDED	PROTECTIVE AS NEEDED

THIRD ANGLE PROJECTION 

ALL DIMS IN mm

 **Edmund Optics®**

TITLE

25mm DIA., 3mm THICK, UNCOATED, $\lambda/4$
FUSED SILICA WINDOW

DWG NO

14963

SHEET
1 OF 1