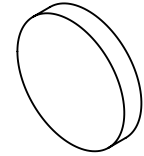


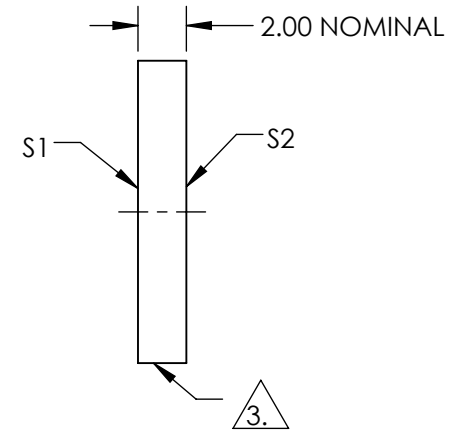
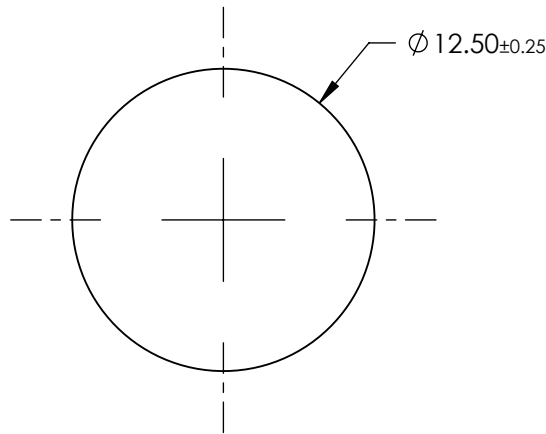
NOTES:

1. SUBSTRATE:
BOROFLOAT®
2. COATING PERFORMANCE (APPLY ACROSS COATING APERTURE)
T(AVG) <1.0% @ 390 - 570nm
T(AVG) >85% @ 620 - 750nm
T(ABS) <2.0% @ 415 - 550nm
T(ABS) >80% @ 630 - 750nm



3. FINE GROUND SURFACE

4. ROHS COMPLIANT



**FOR INFORMATION ONLY:
DO NOT MANUFACTURE
PARTS TO THIS DRAWING**

SPECIFICATIONS SUBJECT TO CHANGE WITHOUT NOTICE
DIMENSIONS ARE FOR REFERENCE ONLY

	S1	S2
SHAPE	PLANO	PLANO
SURFACE QUALITY	80-50	80-50
CLEAR APERTURE	≥85%	≥85%
BEVEL	PROTECTIVE AS NEEDED	PROTECTIVE AS NEEDED



ALL DIMS IN mm

EO® Edmund Optics®

TITLE

12.5mm Diameter, Red Dichroic Filter

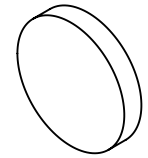
DWG NO

52527

SHEET
1 OF 1

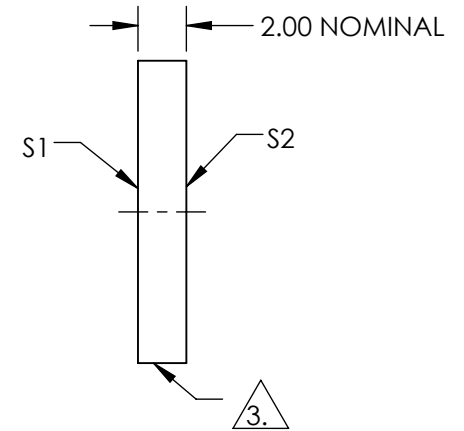
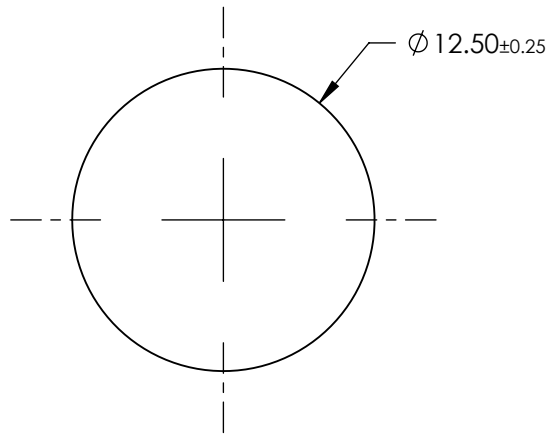
NOTES:

1. SUBSTRATE:
BOROFLOAT®
2. COATING PERFORMANCE (APPLY ACROSS COATING APERTURE)
 T(AVG) >85% @ 390 - 485nm
 T(AVG) <1.0% @ 525 - 750nm
 T(ABS) >80% @ 400 - 485nm
 T(ABS) <1.0% @ 620 - 690nm



3. FINE GROUND SURFACE

4. ROHS COMPLIANT



**FOR INFORMATION ONLY:
DO NOT MANUFACTURE
PARTS TO THIS DRAWING**

SPECIFICATIONS SUBJECT TO CHANGE WITHOUT NOTICE
DIMENSIONS ARE FOR REFERENCE ONLY

EO® Edmund Optics®

	S1	S2
SHAPE	PLANO	PLANO
SURFACE QUALITY	80-50	80-50
CLEAR APERTURE	≥85%	≥85%
BEVEL	PROTECTIVE AS NEEDED	PROTECTIVE AS NEEDED

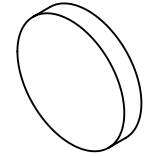
THIRD ANGLE PROJECTION

ALL DIMS IN mm

TITLE	12.5mm Diameter, Blue Dichroic Filter		
DWG NO	52530	SHEET	1 OF 1

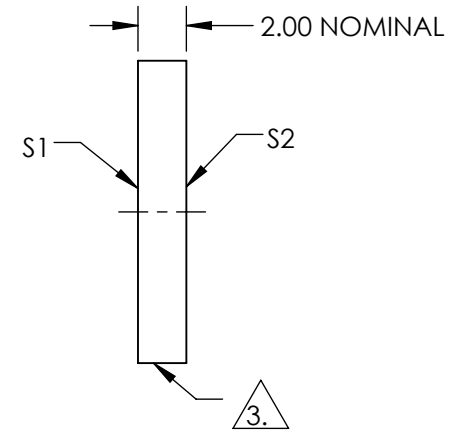
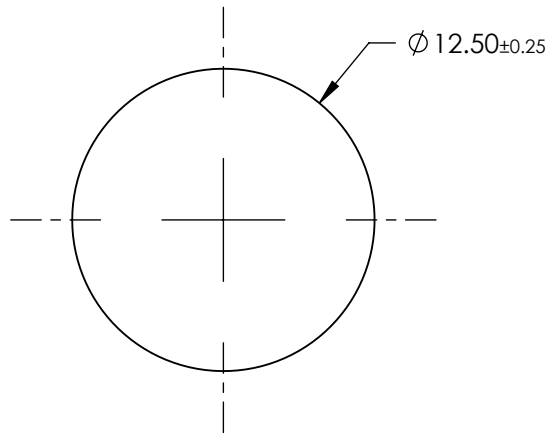
NOTES:

1. SUBSTRATE:
BOROFLOAT®
2. COATING PERFORMANCE (APPLY ACROSS COATING APERTURE)
 - T(AVG) <1.0% @ 400 - 480nm
 - T(AVG) >80% @ 525 - 555nm
 - T(AVG) <1.0% @ 590 - 720nm
 - T(ABS) <1.0% @ 425 - 455nm
 - T(ABS) >70% @ 530 - 550nm
 - T(ABS) <1.0% @ 620 - 690nm



3. FINE GROUND SURFACE

4. ROHS COMPLIANT



**FOR INFORMATION ONLY:
DO NOT MANUFACTURE
PARTS TO THIS DRAWING**

SPECIFICATIONS SUBJECT TO CHANGE WITHOUT NOTICE
DIMENSIONS ARE FOR REFERENCE ONLY

EO® Edmund Optics®

	S1	S2
SHAPE	PLANO	PLANO
SURFACE QUALITY	80-50	80-50
CLEAR APERTURE	≥85%	≥85%
BEVEL	PROTECTIVE AS NEEDED	PROTECTIVE AS NEEDED

THIRD ANGLE PROJECTION

ALL DIMS IN mm

TITLE	12.5mm Diameter, Green Dichroic Filter		
DWG NO	52533	SHEET	1 OF 1