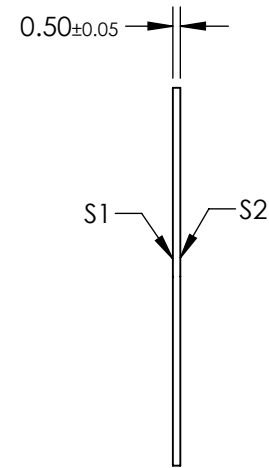
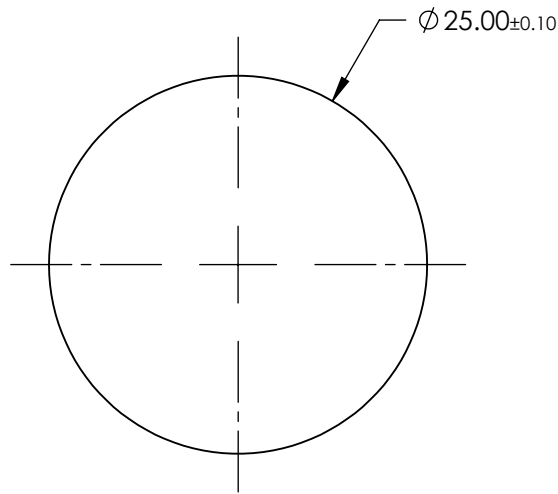


NOTES:

1. MATERIAL:
BOROSILICATE GLASS CONTAINING ELONGATED SILVER
CRYSTALS
2. COATING SPECIFICATION:
S1 & S2: BBAR COATING
R(AVG) < 0.4% @ 630 - 700nm @ 0° AOI
3. EXTINCTION RATIO: >10,000:1
4. RoHS: COMPLIANT



**FOR INFORMATION ONLY:
DO NOT MANUFACTURE
PARTS TO THIS DRAWING**

SPECIFICATIONS SUBJECT TO CHANGE WITHOUT NOTICE
DIMENSIONS ARE FOR REFERENCE ONLY

EO® Edmund Optics®

	S1	S2	THIRD ANGLE PROJECTION		TITLE	25mm Dia., 633nm, Corning Polarcor™ Glass Polarizer	
SHAPE	PLANO	PLANO			DWG NO	13609	SHEET 1 OF 1
SURFACE QUALITY	40-20	40-20	ALL DIMS IN	mm			
BEVEL MAX FACE	PROTECTIVE AS NEEDED	PROTECTIVE AS NEEDED					