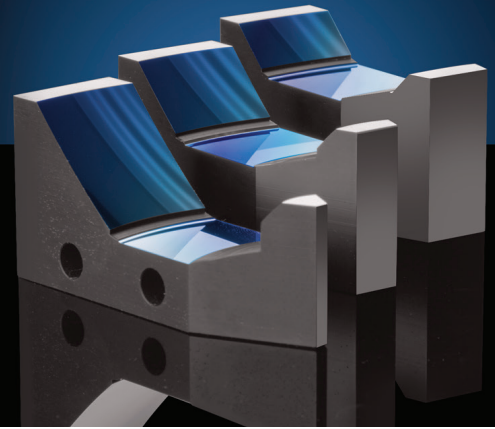


TECHSPEC® CANOPUS™ REFLECTIVE BEAM EXPANDERS

700-12,000nm • 2X #37-189

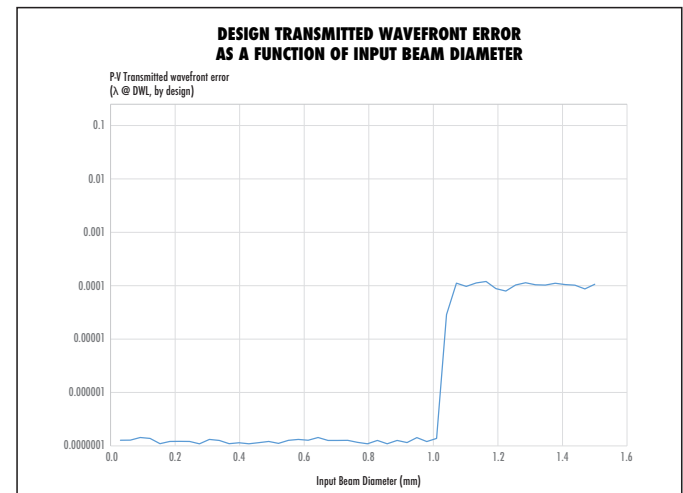
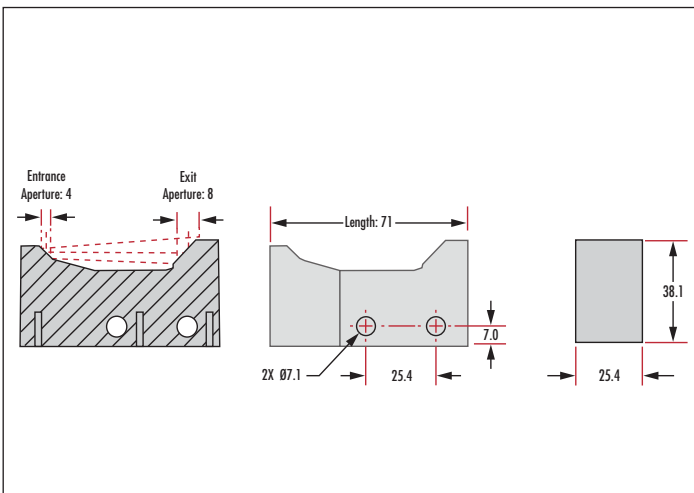
- Broadband Performance for UV, Visible, and IR Applications from 250nm to 10µm
- $\lambda/10$ or $\lambda/8$ Wavefront Error
- Easy Mounting with Integrated Alignment Features
- Patent Pending



TECHSPEC® Canopus™ Reflective Beam Expanders are ideal for applications requiring broadband or achromatic beam expansion and a wide variety of light sources. The all-reflective design enables these beam expanders to be used with a variety of lasers including tunable, ultraviolet, and ultrafast sources, while the innovative design ensures high precision with minimal wavefront distortion. A variety of integrated design elements, including reflective flats, thread holes and thru-holes, simplify alignment, mounting, and integration into any laser application. The monolithic design ensures performance and stability independent of changes in temperature.

For more information on beam expanders and their application, please see online for our Technical Resource: [Application Note on Beam Expanders](#)

Wavelength Range:	700-12,000nm
Expansion Power:	2X
Entrance Aperture:	4mm
Exit Aperture:	8mm
Wavefront Error, P-V:	$\lambda/10$ @ 633nm @ 1mm Input Beam
Substrate:	Aluminum 6061-T6
Length:	71mm
Width:	38.1mm
Height:	25.4mm
Weight:	133g
Coating:	Bare Gold
Coating Specification:	$R_{avg} > 94\%$ @ 700 - 800nm $R_{avg} > 97\%$ @ 800 - 2000nm $R_{avg} > 98\%$ @ 2 - 12µm
Angle of Incidence:	0°
Surface Roughness:	<50 RMS Å
Surface Quality:	40-20



© COPYRIGHT 2019 EDMUND OPTICS, INC. ALL RIGHTS RESERVED