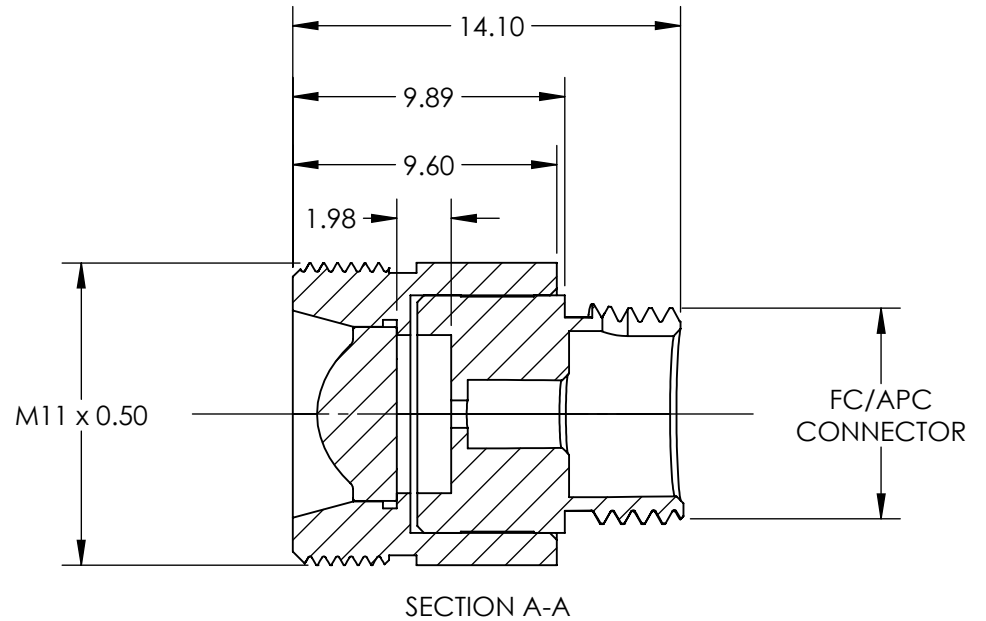
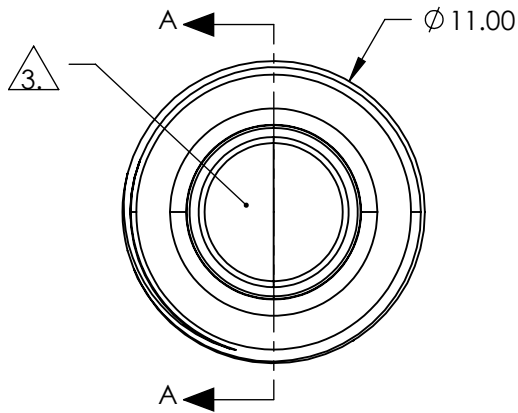
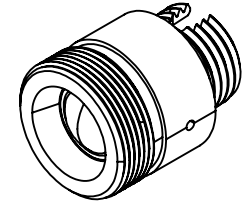


NOTES:

1. MATERIAL:
HOUSING: STAINLESS STEEL
LENS: D-Lak6
2. COATING (APPLY ACROSS COATING APERTURE)
BBAR (350-500nm)
Rabs <1.0% @ 350 - 500nm

3. CLEAR APERTURE: 4.80 mm

4. RoHS: COMPLIANT



SPECIFICATIONS SUBJECT TO CHANGE WITHOUT NOTICE
DIMENSIONS ARE FOR REFERENCE ONLY

**FOR INFORMATION ONLY:
DO NOT MANUFACTURE
PARTS TO THIS DRAWING**

EO® Edmund Optics®

THIRD ANGLE PROJECTION		TITLE	405nm Alignment, 0.60 NA Fiber Collimator w/ FC/APC Connector	
ALL DIMS IN	mm	DWG NO	13550	SHEET 1 OF 1