

NOTES:

1. MATERIAL: N-BK7 MOUNTED IN BLACK ANODIZED ALUMINUM

2. COATING (APPLY ACROSS COATING APERTURE):

S1 & S2: YAG-BBAR

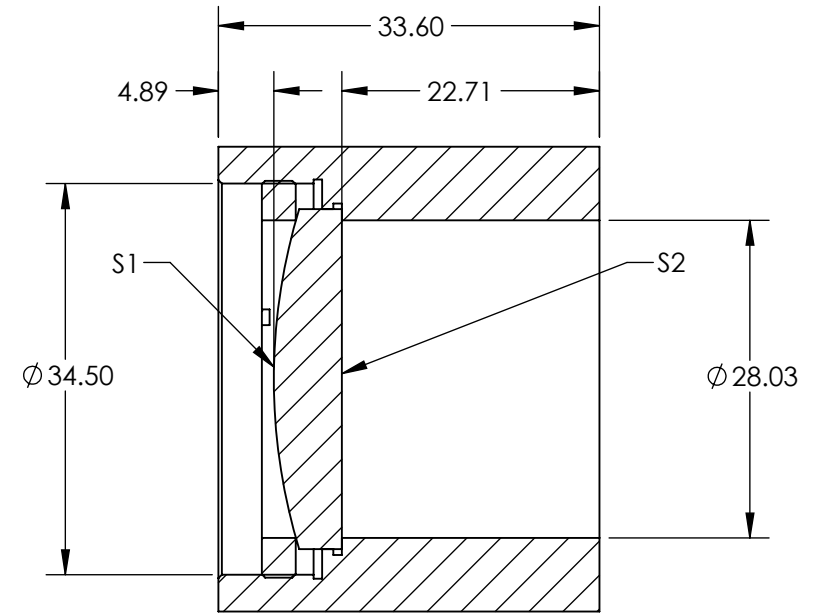
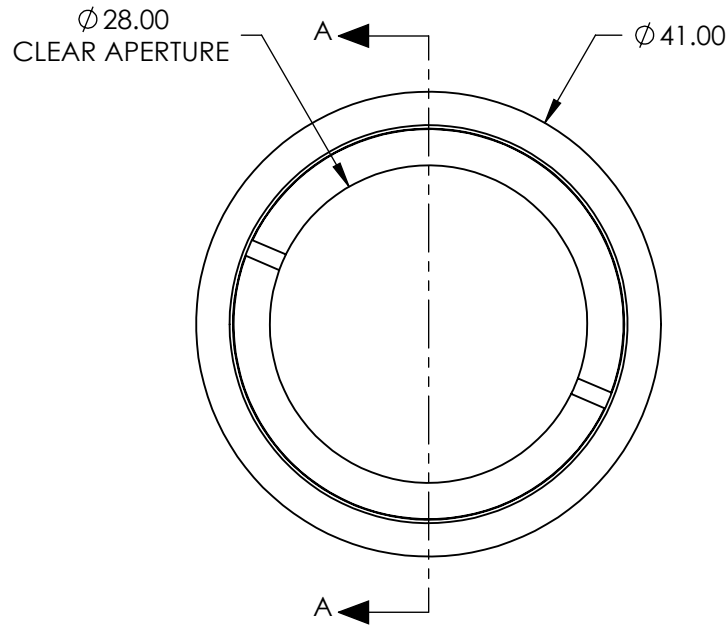
R(ABS) < 0.25% 532nm @ 0° AOI

R(ABS) < 0.25% 1064nm @ 0° AOI

R(AVG) < 1.0% FROM 500 - 1100nm @ 0° AOI

3. RoHS: COMPLIANT


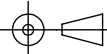
**FOR INFORMATION ONLY:  
DO NOT MANUFACTURE  
PARTS TO THIS DRAWING**



SECTION A-A

SPECIFICATIONS SUBJECT TO CHANGE WITHOUT NOTICE  
DIMENSIONS ARE FOR REFERENCE ONLY

	S1	S2
SHAPE	CONVEX	PLANO
RADIUS	51.68	INFINITY
SURFACE QUALITY	40-20	40-20
BEVEL MAX FACE	PROTECTIVE AS NEEDED	PROTECTIVE AS NEEDED

EFL: 100.00mm			
BFL: 96.01mm			
THIRD ANGLE PROJECTION 		TITLE	100mm FL LASER FOCUSING SINGLET
ALL DIMS IN	mm	DWG NO	12320
			SHEET 1 OF 1