

NOTES:

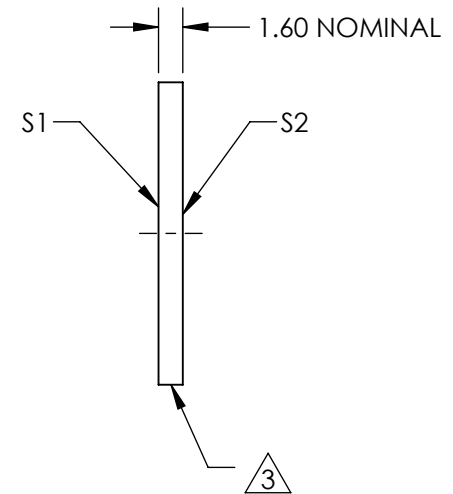
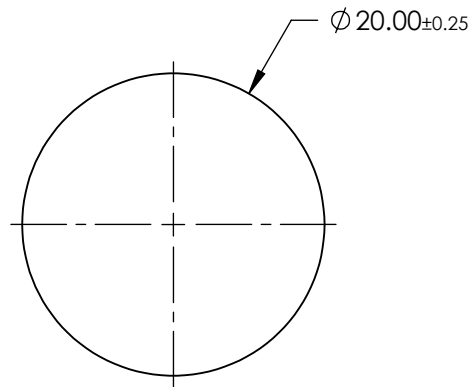
1. SUBSTRATE MATERIAL: Float Glass
2. COATING (APPLY ACROSS CLEAR APERTURE, SPECIFICATION APPLIES AFTER SANDBLASTING):

S1: R(AVG) >96% @ 700 - 2000nm  
 R(AVG) >96% @ 2000 - 10,000nm

S2: NONE

 FINE GRIND SURFACE

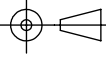
4. RoHS: COMPLIANT



SPECIFICATIONS SUBJECT TO CHANGE WITHOUT NOTICE  
 DIMENSIONS ARE FOR REFERENCE ONLY

**FOR INFORMATION ONLY:  
 DO NOT MANUFACTURE  
 PARTS TO THIS DRAWING**

 **Edmund Optics®**

	S1	S2	THIRD ANGLE PROJECTION 		TITLE	20mm Dia. Protected Gold Coated, Reflective Diffuser	
MIN CLEAR APERTURE	Ø19.00	N/A	ALL DIMS IN	mm	DWG NO	12459	SHEET 1 OF 1
BEVEL	PROTECTIVE AS NEEDED	PROTECTIVE AS NEEDED					