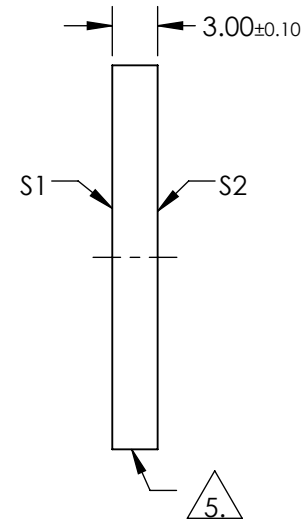
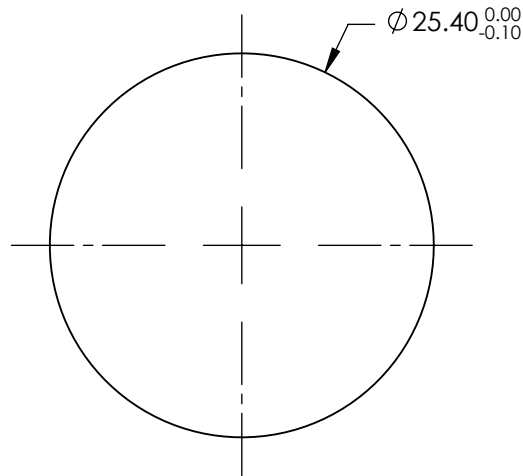
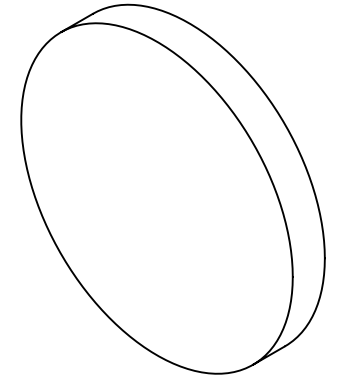


NOTES:

1. SUBSTRATE: GERMANIUM
2. RoHS: COMPLIANT
3. SURFACE S2 TO BE PARALLEL TO SURFACE S1 TO WITHIN < 1 ARCMIN
4. COATING (APPLY ACROSS COATING APERTURE)
S1 & S2: R(AVG) < 3.0% FROM 3.0 - 5.0µm

5. FINE GRIND SURFACE



**FOR INFORMATION ONLY:
DO NOT MANUFACTURE
PARTS TO THIS DRAWING**

SPECIFICATIONS SUBJECT TO CHANGE WITHOUT NOTICE
DIMENSIONS ARE FOR REFERENCE ONLY

	S1	S2
SHAPE	PLANO	PLANO
SURFACE QUALITY	60-40	60-40
SURFACE ACCURACY @ 10.6µm	$\lambda/20$	$\lambda/20$
CLEAR APERTURE	$\varnothing 22.89$	$\varnothing 22.89$
BEVEL	PROTECTIVE AS NEEDED	PROTECTIVE AS NEEDED

THIRD ANGLE
PROJECTION

ALL DIMS IN

mm

EO® Edmund Optics®

TITLE

WINDOW GERMANIUM 25.4 x 3.0mm 3-5µm
CTD

DWG NO

11865

SHEET
1 OF 1