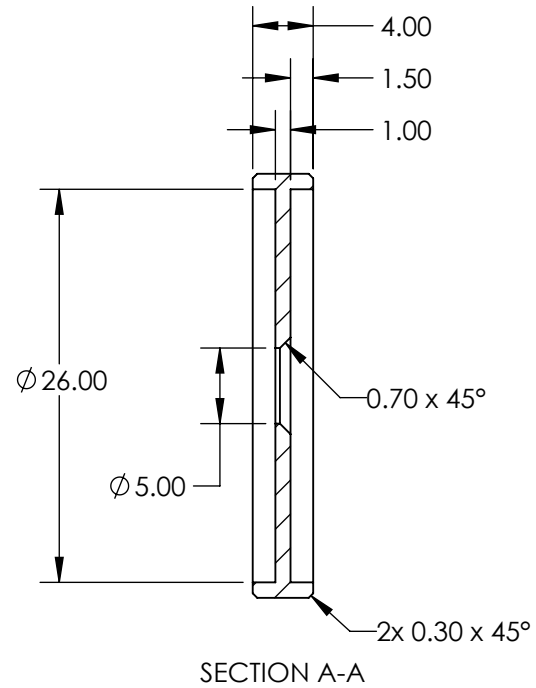
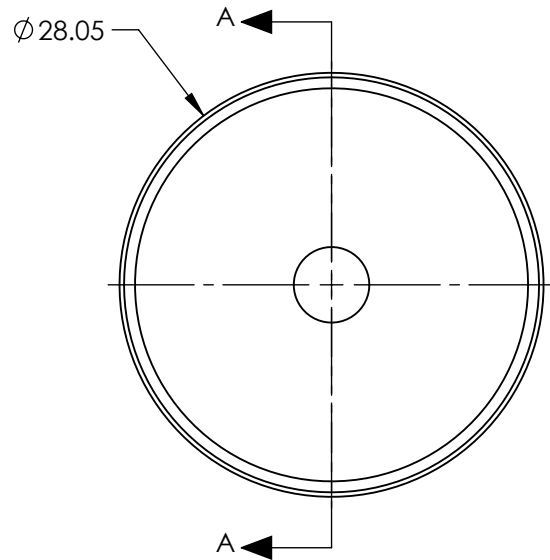
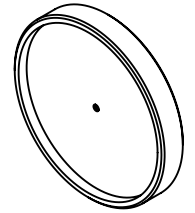


NOTES:

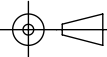
1. MATERIAL: BLACK MATTE ANODIZED ALUMINUM
2. RoHS: COMPLIANT



SPECIFICATIONS SUBJECT TO CHANGE WITHOUT NOTICE
DIMENSIONS ARE FOR REFERENCE ONLY

**FOR INFORMATION ONLY:
DO NOT MANUFACTURE
PARTS TO THIS DRAWING**

EO[®] Edmund Optics[®]

| | | | | |
|--|----|--------|------------------------|--------------|
| THIRD ANGLE PROJECTION  | | TITLE | T32 INNER APERTURE 5mm | |
| ALL DIMS IN | mm | DWG NO | 11184 | SHEET 1 OF 1 |