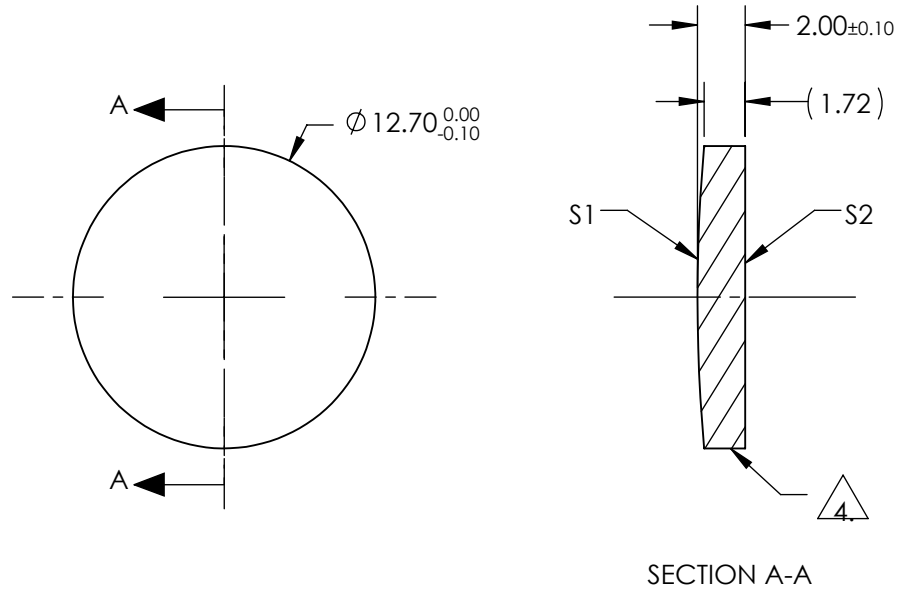



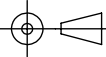
NOTES:

1. SUBSTRATE:
II-VI Infrared ZnSe
2. CENTERING TOLERANCE:
EDGE THICKNESS VARIATION MEASURED AT THE CLEAR APERTURE OF S1
NOT TO EXCEED 50.8µm
3. COATING (APPLY ACROSS COATING APERTURE)
S1 & S2: NONE
4. FINE GROUND SURFACE
5. POWER, IRREGULARITY, AND SURFACE QUALITY SPECIFICATIONS APPLY
ACROSS CLEAR APERTURE
6. WAVELENGTH RANGE: 600 - 18000nm
7. SURFACE ROUGHNESS: <50 Å
8. ROHS: COMPLIANT



**FOR INFORMATION ONLY:
DO NOT MANUFACTURE
PARTS TO THIS DRAWING**

SPECIFICATIONS SUBJECT TO CHANGE WITHOUT NOTICE
DIMENSIONS ARE FOR REFERENCE ONLY

| | S1 | S2 | | |  Edmund Optics® | | |
|------------------------|----------------------|----------------------|--|-------|---|--|-----------------|
| SHAPE | CONVEX | PLANO | | | | | |
| RADIUS | 71.260 | INFINITY | EFL (AT 10.6 microns) | 50.80 | DWG NO 39528 | | |
| SURFACE QUALITY | 40-20 | 40-20 | BFL (AT 10.6 microns) | 49.97 | | | SHEET 1 OF 1 |
| CLEAR APERTURE | 90% | 90% | THIRD ANGLE PROJECTION  | | | | |
| POWER at 10.6µm | λ/10 | λ/10 | ALL DIMS IN | | | | |
| IRREGULARITY at 10.6µm | λ/20 | λ/20 | mm | | | | |
| BEVEL | PROTECTIVE AS NEEDED | PROTECTIVE AS NEEDED | | | | | |