

NOTES:

1. SUBSTRATE  
Fused Silica
2. COATING (APPLY ACROSS CLEAR APERTURE)  
S1: P-POLARIZATION TRANSMISSION EFFICIENCY: >98%  
EXTINCTION RATIO: 10000:1  
  
Damage Threshold, Pulsed:  
2 J/cm<sup>2</sup> @ 532nm, 10ns, S or P Polarization

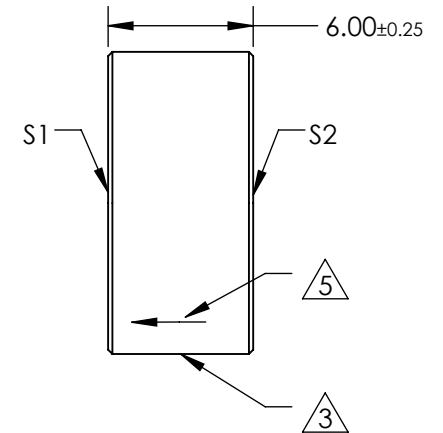
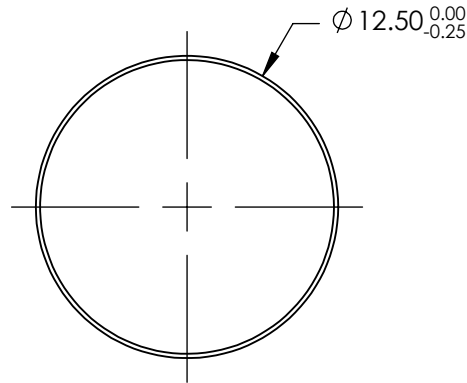
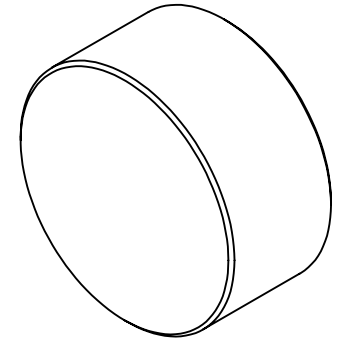
△3 FINE GROUND SURFACE

4. POWER, IRREGULARITY, SURFACE QUALITY, AND COATING SPECIFICATIONS APPLY ACROSS CLEAR APERTURE

△5 APPLY ARROW ON EDGE WITH PENCIL OR PERMANENT INK TOWARDS S1

6. DESIGN WAVELENGTH: 532nm

7. RoHS: COMPLIANT



**FOR INFORMATION ONLY:  
DO NOT MANUFACTURE  
PARTS TO THIS DRAWING**

SPECIFICATIONS SUBJECT TO CHANGE WITHOUT NOTICE  
DIMENSIONS ARE FOR REFERENCE ONLY

	S1	S2
TRANSMITTED WAVEFRONT	λ/4 @ 633nm	λ/4 @ 633nm
ANGLE OF INCIDENCE (°)	45 ±2	45 ±2
SHAPE	PLANO	PLANO
SURFACE QUALITY	40-20	40-20
CLEAR APERTURE	Ø11.25	Ø11.25
BEVEL	PROTECTIVE AS NEEDED	PROTECTIVE AS NEEDED



ALL DIMS IN

mm

**EO**® Edmund Optics®

TITLE

532nm, 12.5mm DIAMETER, THIN-FILM LASER LINE POLARIZERS

DWG NO

86709

SHEET  
1 OF 1