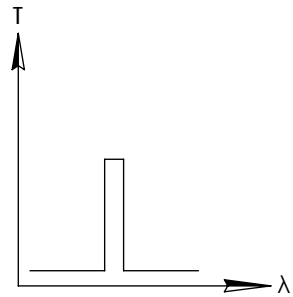
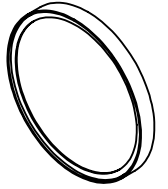
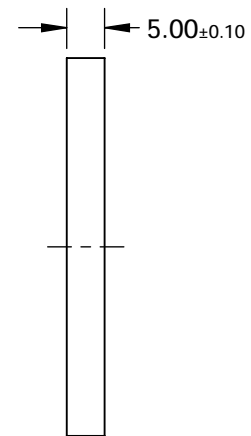
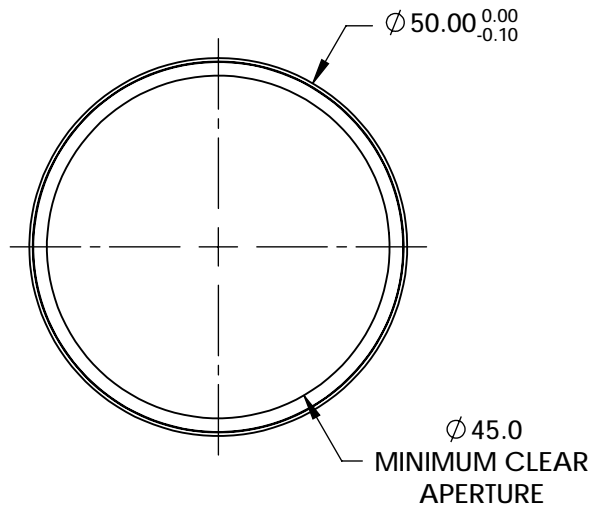


**FOR INFORMATION ONLY:
DO NOT MANUFACTURE
PARTS TO THIS DRAWING**

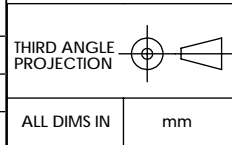


BANDPASS FILTER



| REV. A | VALUE |
|----------------------------|---|
| CENTER WAVELENGTH (CWL) | 1064nm \pm 1nm |
| FULL WIDTH HALF MAX (FWHM) | 5.0 \pm 1nm |
| MINIMUM TRANSMISSION | \geq 85% |
| BLOCKING | 200 - 1200nm |
| SURFACE QUALITY | 80-50 |
| CONSTRUCTION | MOUNTED IN BLACK ANODIZED ALUMINUM RING |
| COATING TYPE | HARD COATED |
| DURABILITY | MIL-C-48497a, SEC 3.4.1 |
| ENVIRONMENTAL | MIL-STD-810F, SEC 507.4 |

SPECIFICATIONS SUBJECT TO CHANGE WITHOUT NOTICE
DIMENSIONS ARE FOR REFERENCE ONLY



| | | | |
|--------|---|-------|--------|
| TITLE | 1064nm CWL, 50mm Dia., Hard Coated OD4 5nm Bandpass Filter | | |
| DWG NO | 39382 | SHEET | 1 OF 1 |