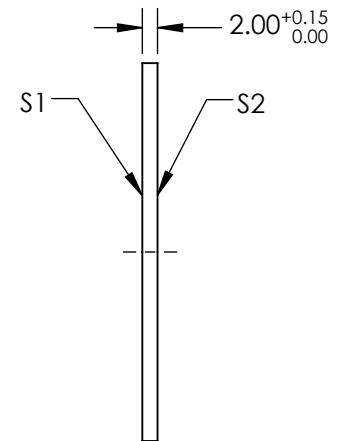
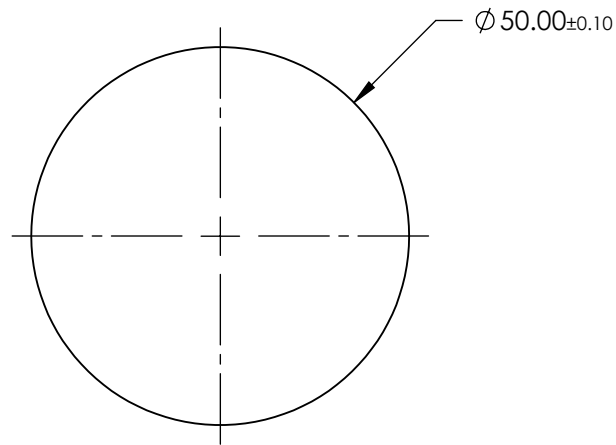


NOTES:

1. SUBSTRATE MATERIAL:
FUSED QUARTZ
2. COATING (APPLY ACROSS CLEAR APERTURE)
S1 & S2: R(ABS) < 0.25% @ 355nm @ 0° AOI
3. PARALELLISM: < 45 arcmin
4. ROHS: COMPLIANT



**FOR INFORMATION ONLY:
DO NOT MANUFACTURE
PARTS TO THIS DRAWING**

SPECIFICATIONS SUBJECT TO CHANGE WITHOUT NOTICE
DIMENSIONS ARE FOR REFERENCE ONLY

	S1	S2
SHAPE	PLANO	PLANO
TRANSMITTED WAVEFRONT DISTORTION	$\lambda/2$	$\lambda/2$
SURFACE QUALITY	40 - 20	40 - 20
CLEAR APERTURE	Ø42.5	Ø42.5
BEVEL	BREAK EDGES	BREAK EDGES



ALL DIMS IN mm

EO® **Edmund Optics**®

TITLE

50mm 355nm LASER DEBRIS SHIELD

DWG NO

37669

SHEET
1 OF 1