

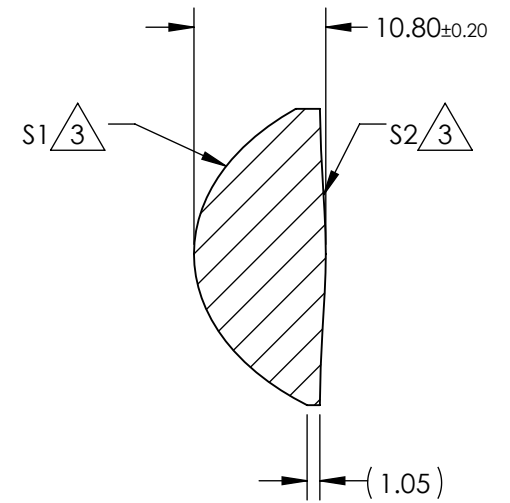
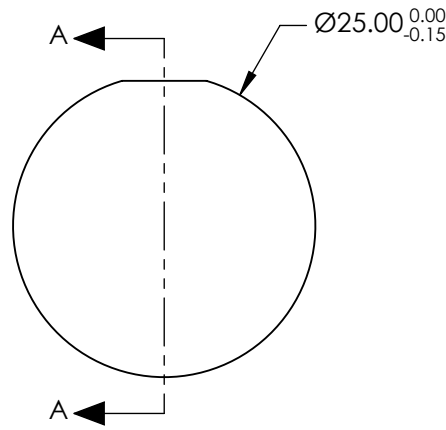
**NOTES:**

1. SUBSTRATE: GRADE A FINE ANNEALED  
ZEONEX: E48R  
nd=1.531  
vd=56.0
2. COATING  
S1: NONE  
S2: NONE

3.  ASPHERIC SURFACE DESCRIBED BY (REF. COEFFICIENT TABLE)

$$Z_{ASPH}(Y) = \frac{(\frac{1}{RADIUS}) * Y^2}{1 + \sqrt{1 - (1+k) * (\frac{1}{RADIUS})^2 * Y^2}} + D * Y^2 + E * Y^4 + F * Y^6 + G * Y^8 + H * Y^{10} + J * Y^{12} + L * Y^{14}$$

FOR INFORMATION ONLY:  
DO NOT MANUFACTURE  
PARTS TO THIS DRAWING



SECTION A-A

COEFFICIENT TABLE 

| COEFFICIENT | S1             | S2              |
|-------------|----------------|-----------------|
| <b>k</b>    | -0.586         | -16.6           |
| <b>D</b>    | 0              | 0               |
| <b>E</b>    | 8.3402461E-006 | 8.8356231E-005  |
| <b>F</b>    | 3.8410043E-008 | -8.221568E-007  |
| <b>G</b>    | 0              | 5.7414599E-009  |
| <b>H</b>    | 0              | -2.7583748E-011 |
| <b>J</b>    | 0              | 7.9635442E-014  |
| <b>L</b>    | 0              | -1.0281195E-016 |

**SPECIFICATIONS SUBJECT TO CHANGE WITHOUT NOTICE DIMENSIONS ARE FOR REFERENCE ONLY**

| REV. A          | S1                   | S2                   | EFL @ 587.6nm  | 17.5  |  Edmund Optics® |        |       |
|-----------------|----------------------|----------------------|--|-------|--|--------|-------|
| SHAPE           | CONVEX               | CONVEX               | BFL @ 587.6nm  | 11.22 |  |        |       |
| RADIUS          | 10.54                | 50.47                | THIRD ANGLE PROJECTION  | TITLE | 25mm DIAMETER X 17.5mm FL, UNCOATED, PLASTIC ASPHERIC LENS   |        |       |
| SURFACE QUALITY | 80-50                | 80-50                | ALL DIMS IN  | mm    |  | DWG NO | 66006 |
| CLEAR APERTURE  | Ø 23                 | Ø 23                 |  |       |  |        |       |
| BEVEL MAX       | PROTECTIVE AS NEEDED | PROTECTIVE AS NEEDED |  |       |  |        |       |