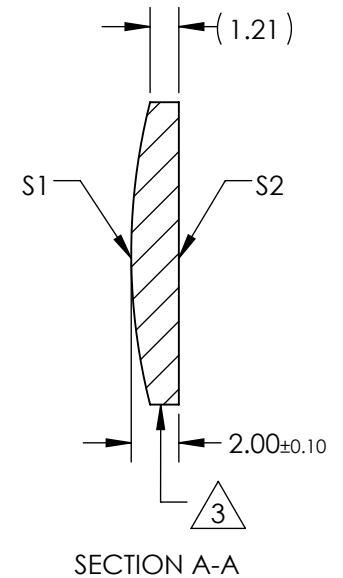
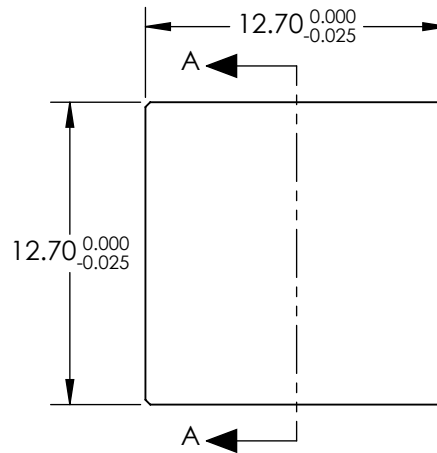


NOTES:


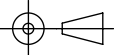
1. SUBSTRATE MATERIAL:  
N-BK7
2. COATING (APPLY ACROSS CLEAR APERTURE)  
S1 & S2:  
NIR II  
R(ABS) ≤ 1.5% FROM 750-800nm @ 0° AOI  
R(ABS) ≤ 1.0% FROM 800-1550nm @ 0° AOI  
R(AVG) ≤ 0.7% FROM 750-1550nm @ 0° AOI
3. FINE GROUND SURFACE
4. POWER, IRREGULARITY, AND SURFACE QUALITY SPECIFICATIONS APPLY ACROSS CLEAR APERTURE
5. FOCAL LENGTH TOLERANCE: ±1%
6. PLANO AXIS WEDGE TOLERANCE: < 5 ARCMIN  
POWER AXIS WEDGE TOLERANCE: < 5 ARCMIN  
AXIAL TWIST ANGLE: < 3 ARCMIN
7. RoHS COMPLIANT



**FOR INFORMATION ONLY:  
DO NOT MANUFACTURE  
PARTS TO THIS DRAWING**

REV. A	S1	S2
SHAPE	CONVEX	PLANO
RADIUS	25.84	∞
SURFACE QUALITY	40 - 20	40 - 20
CLEAR APERTURE	11.43 x 11.43	11.43 x 11.43
COATING APERTURE	11.43 x 11.43	11.43 x 11.43
POWER AT 632.8nm	1.5 WAVES PV	1.5 WAVES PV
IRREGULARITY AT 632.8nm	0.25 WAVE PV	0.25 WAVE PV
BEVEL	PROTECTIVE AS NEEDED	PROTECTIVE AS NEEDED

SPECIFICATIONS SUBJECT TO CHANGE WITHOUT NOTICE  
DIMENSIONS ARE FOR REFERENCE ONLY

EFL	50mm	 <b>Edmund Optics®</b>		
BFL	48.68mm			
THIRD ANGLE PROJECTION		TITLE	LENS CYL SHAPING 12.7 x 12.7mm X 50mm FL NIR II	
ALL DIMS IN	mm	DWG NO	35010	SHEET 1 OF 1