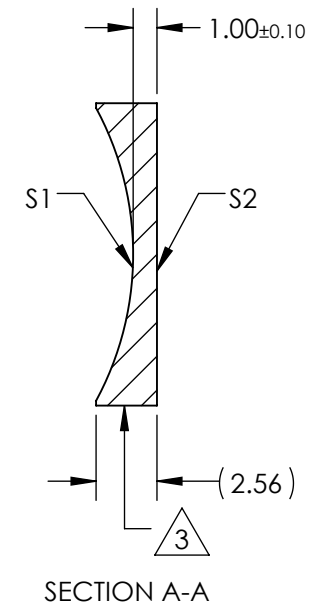
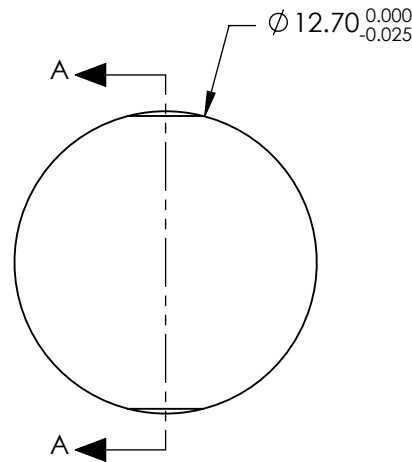


NOTES:


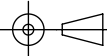
1. SUBSTRATE MATERIAL:  
N-BK7
2. COATING (APPLY ACROSS CLEAR APERTURE)  
S1 & S2:  
NIR II  
R(ABS) ≤ 1.5% FROM 750-800nm @ 0° AOI  
R(ABS) ≤ 1.0% FROM 800-1550nm @ 0° AOI  
R(AVG) ≤ 0.7% FROM 750-1550nm @ 0° AOI
3. FINE GROUND SURFACE
4. POWER, IRREGULARITY, AND SURFACE QUALITY SPECIFICATIONS APPLY ACROSS CLEAR APERTURE
5. FOCAL LENGTH TOLERANCE: ±1%
6. PLANO AXIS WEDGE TOLERANCE: < 5 ARCMIN  
POWER AXIS WEDGE TOLERANCE: < 5 ARCMIN
7. RoHS COMPLIANT



**FOR INFORMATION ONLY:  
DO NOT MANUFACTURE  
PARTS TO THIS DRAWING**

REV. A	S1	S2
SHAPE	CONCAVE	PLANO
RADIUS	12.92	∞
SURFACE QUALITY	40 - 20	40 - 20
CLEAR APERTURE	Ø11.43	Ø11.43
COATING APERTURE	Ø11.43	Ø11.43
POWER AT 632.8nm	1.5 WAVES PV	1.5 WAVES PV
IRREGULARITY AT 632.8nm	0.25 WAVE PV	0.25 WAVE PV
BEVEL	PROTECTIVE AS NEEDED	PROTECTIVE AS NEEDED

SPECIFICATIONS SUBJECT TO CHANGE WITHOUT NOTICE  
DIMENSIONS ARE FOR REFERENCE ONLY

EFL	(-25)mm	 <b>Edmund Optics®</b>		
BFL	(-26.32)mm			
THIRD ANGLE PROJECTION		TITLE	LENS CYL SHAPING 12.7mm DIA. X -25mm FL NIR II	
ALL DIMS IN	mm	DWG NO	34638	SHEET 1 OF 1