

NOTES:

1. SUBSTRATE MATERIAL:
Fused Silica

2. COATING (APPLY ACROSS CLEAR APERTURE)

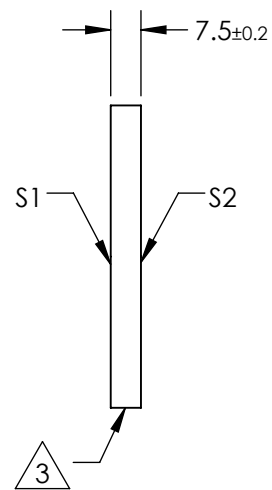
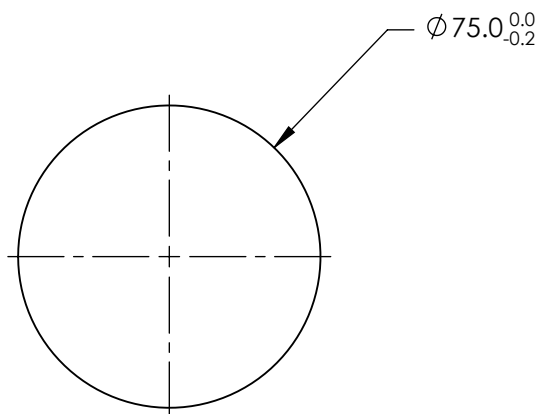
S1: Protected Gold
R(AVG) >96% @ 700 - 2000nm
R(AVG) >96% @ 2000 - 10,000nm

S2: NONE

3. FINE GROUND SURFACE

4. PARALLELISM: 30 ARCSEC

5. RoHS COMPLIANT



**FOR INFORMATION ONLY:
DO NOT MANUFACTURE
PARTS TO THIS DRAWING**

SPECIFICATIONS SUBJECT TO CHANGE WITHOUT NOTICE
DIMENSIONS ARE FOR REFERENCE ONLY

REV. A	S1	S2
SHAPE	PLANO	PLANO
SURFACE QUALITY	20-10	N/A
SURFACE FLATNESS	$\lambda/10$	COMMERCIAL POLISH
CLEAR APERTURE	90%	N/A
BEVEL	PROTECTIVE AS NEEDED	PROTECTIVE AS NEEDED



ALL DIMS IN mm

TITLE	75mm Diameter Protected Gold Coated, $\lambda/10$ Mirror
DWG NO	84435
	SHEET 1 OF 1