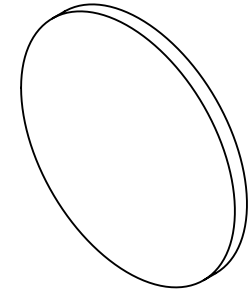


NOTES:

**FOR INFORMATION ONLY:
DO NOT MANUFACTURE
PARTS TO THIS DRAWING**



1. SUBSTRATE: N-BK7
2. COATING (APPLY ACROSS CLEAR APERTURE)

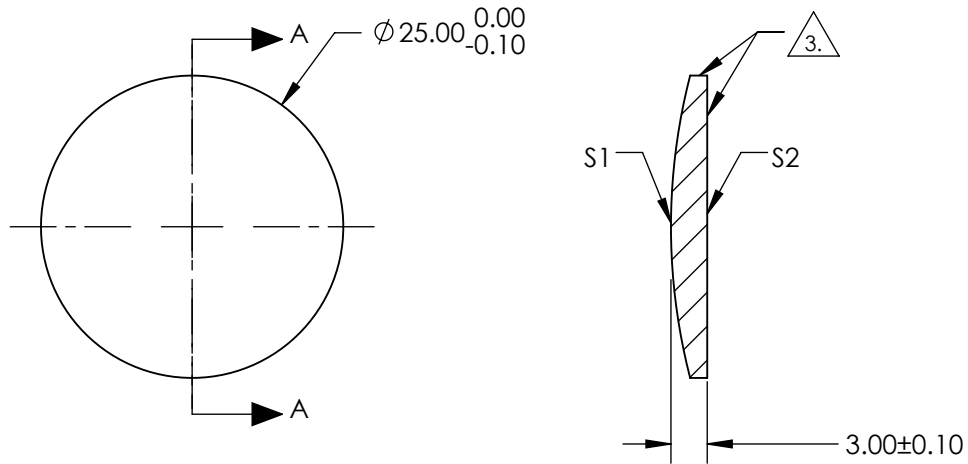
S1: SILVER WITH PROTECTIVE OVERCOAT
R(AVG) > 98% FROM 0.45-10.0 Microns @ 0° AOI

S2: NONE

 FINE GRIND SURFACE

4. POWER, IRREGULARITY, AND SURFACE QUALITY SPECIFICATIONS
APPLY ACROSS CLEAR APERTURE

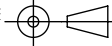
5. ROHS COMPLIANT



SECTION A-A

SPECIFICATIONS SUBJECT TO CHANGE WITHOUT NOTICE
DIMENSIONS ARE FOR REFERENCE ONLY

	S1	S2
SHAPE	CONVEX	PLANO
RADIUS	50mm	N/A
SURFACE QUALITY	60-40	N/A
FOCAL LENGTH TOLERANCE	$\pm 2\%$	N/A
BEVEL	PROTECTIVE AS NEEDED	PROTECTIVE AS NEEDED

THIRD ANGLE PROJECTION 

ALL DIMS IN mm

 **Edmund Optics®**

TITLE

$\varnothing 25\text{mm}$, -25mm FL PROTECTED SILVER,
CONVEX MIRROR

DWG NO

87678

SHEET
1 OF 1