

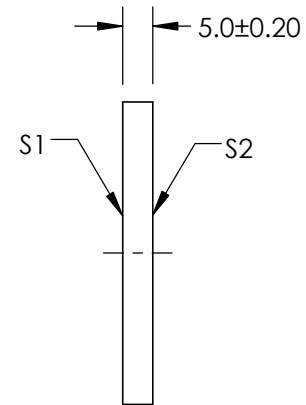
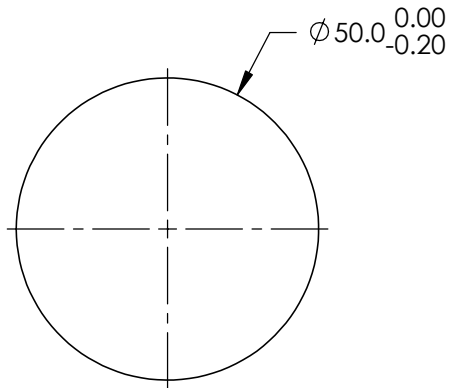
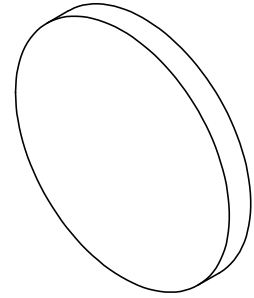
NOTES:

**FOR INFORMATION ONLY:
DO NOT MANUFACTURE
PARTS TO THIS DRAWING**

1. SUBSTRATE: FUSED SILICA
2. PARALLELISM : 30 ARCSEC
3. COATING SPECIFICATION:

ENHANCED ALUMINUM
S1: R(avg) >95% @ 450 - 650nm
S2: NONE

4. POWER, IRREGULARITY, AND SURFACE QUALITY SPECIFICATIONS
APPLY ACROSS CLEAR APERTURE
5. ROHS COMPLIANT



SPECIFICATIONS SUBJECT TO CHANGE WITHOUT NOTICE
DIMENSIONS ARE FOR REFERENCE ONLY

EO® **Edmund Optics**®

	S1	S2						
SHAPE	PLANO	PLANO			TITLE		Ø50mm, λ/20, ENHANCED ALUMINUM MIRROR	
SURFACE QUALITY	20-10	COMMERCIAL POLISH	THIRD ANGLE PROJECTION		DWG NO		34366	
SURFACE FLATNESS	λ/20	N/A					SHEET 1 OF 1	
BEVEL	PROTECTIVE AS NEEDED	PROTECTIVE AS NEEDED	ALL DIMS IN	mm				