

NOTES:

1. ALLOWABLE OPTICAL MATERIAL:
OHARA: L-BAL35 589/612
2. CENTERING TOLERANCE (AT 587.6nm):
BEAM DEVIATION: ≤ 1 arcmin
3. COATING (APPLY ACROSS CLEAR APERTURE)
S1: NONE
S2: NONE

△4 FINE GROUND SURFACE

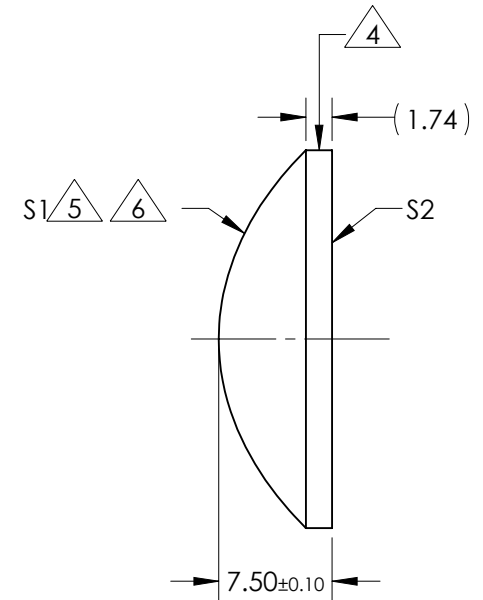
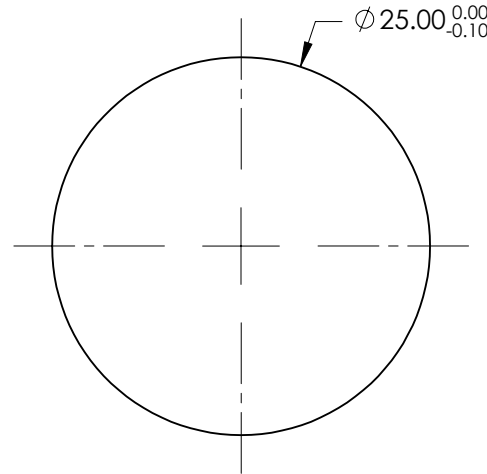
△5 SURFACE ACCURACY S1: < 0.25µm RMS

△6 ASPHERIC SURFACE:

$$Z(Y) = \frac{C*Y^2}{1 + \sqrt{1 - (1+k)*C^2*Y^2}} + D*Y^2 + E*Y^4 + F*Y^6 + G*Y^8 + H*Y^{10} + J*Y^{12} + L*Y^{14}$$


C = 6.789788E-02
 k = -1.439040E+00
 D = 0
 E = 3.415802E-05
 F = -6.692779E-09
 G = 2.374581E-11
 H = -3.745068E-14
 J = 0.000000E+00
 L = 0.000000E+00

7. ASPHERE FIGURE ERROR @ 632.8nm: 0.4λ RMS and 2λ PV



FOR INFORMATION ONLY:
DO NOT MANUFACTURE PARTS TO THIS DRAWING

SPECIFICATIONS SUBJECT TO CHANGE WITHOUT NOTICE
 DIMENSIONS ARE FOR REFERENCE ONLY

| | S1 | S2 | | | | | |
|--------------------|------------------|-----------|---------------------|---------|---|-------|-----------------|
| SHAPE | CONVEX | PLANO | EFL (AT 587.6nm) | (25.00) |  Edmund Optics® | | |
| RADIUS | 14.728 ± 0.5% △6 | INFINITY | BFL (AT 587.6nm) | (20.28) | | | TITLE |
| SURFACE QUALITY | 20 - 10 | 20 - 10 | ALL DIMS IN | mm | DWG NO | 69142 | SHEET 1 OF 1 |
| MIN CLEAR APERTURE | Ø 22.00 | Ø 22.00 | | | | | |
| BEVEL MAX FACE | 0.4 x 45° | 0.4 x 45° | | | | | |