

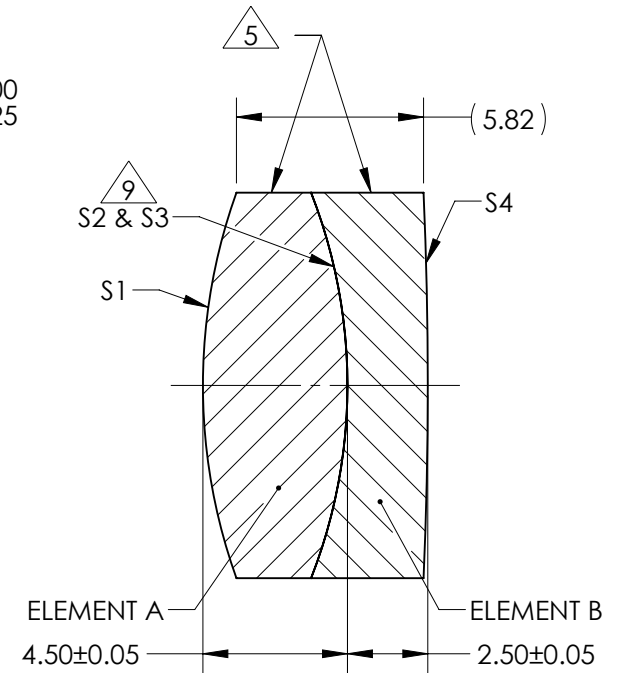
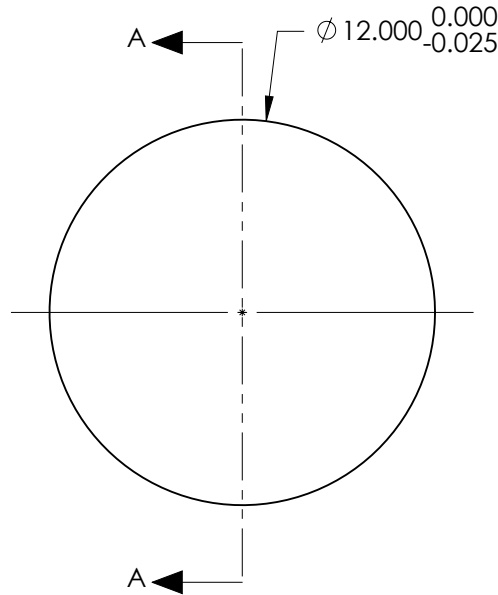
NOTES:

- SUBSTRATE:
ELEMENT A: N-LAK22 651/559
ELEMENT B: N-SF6 805/254
- ROHS COMPLIANT
- CENTERING TOLERANCE (AT 587.6nm):
BEAM DEVIATION (HALF ANGLE): <1 ARCMIN
- COATING (APPLY ACROSS COATING APERTURE)

S1 & S4: NIR II
R(ABS) ≤ 1.5% FROM 750 - 800nm @ 0° AOI
R(ABS) ≤ 1.0% FROM 800 - 1550nm @ 0° AOI
R(AVG) ≤ 0.7% FROM 750 - 1550nm @ 0° AOI

S2 & S3: NONE

- 5 FINE GRIND SURFACE
- 6. POWER, IRREGULARITY, AND SURFACE QUALITY SPECIFICATIONS APPLY ACROSS CLEAR APERTURE
- 7. FOCAL LENGTH (EFL): 30.00mm±1%
BACK FOCAL LENGTH (BFL): 25.83mm
- 8. PROTECTIVE BEVEL AS NEEDED
- 9. DESIGN WAVELENGTH: 880nm
- 9 ELEMENTS TO BE CEMENTED WITH NORLAND OPTICAL ADHESIVE NOA61



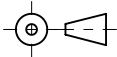
SECTION A-A

**FOR INFORMATION ONLY:
DO NOT MANUFACTURE
PARTS TO THIS DRAWING**

ELEMENT TITLE	SPECIFICATIONS AFTER CEMENTING			
	ELEMENT A		ELEMENT B	
SURFACE	S1	S2	S3	S4
SHAPE	CONVEX	CONVEX	CONCAVE	CONVEX
RADIUS	17.77	16.46	16.46	136.80
SURFACE QUALITY	40 - 20	40 - 20	40 - 20	40 - 20
MIN CLEAR APERTURE	∅11.00	∅11.00	∅11.00	∅11.00
MIN COATING APERTURE	∅11.00	N/A	N/A	∅11.00
POWER AT 632.8nm	3.00 RINGS	3.00 RINGS	3.00 RINGS	3.00 RINGS
IRREGULARITY AT 632.8nm	0.50 RINGS	0.50 RINGS	0.50 RINGS	0.50 RINGS

SPECIFICATIONS SUBJECT TO CHANGE WITHOUT NOTICE
DIMENSIONS ARE FOR REFERENCE ONLY

EO® Edmund Optics®

THIRD ANGLE PROJECTION 

ALL DIMS IN mm

TITLE	12mm Dia. x 30mm FL, NIR II Coated, Achromatic Lens	
DWG NO	45794	SHEET 1 OF 1